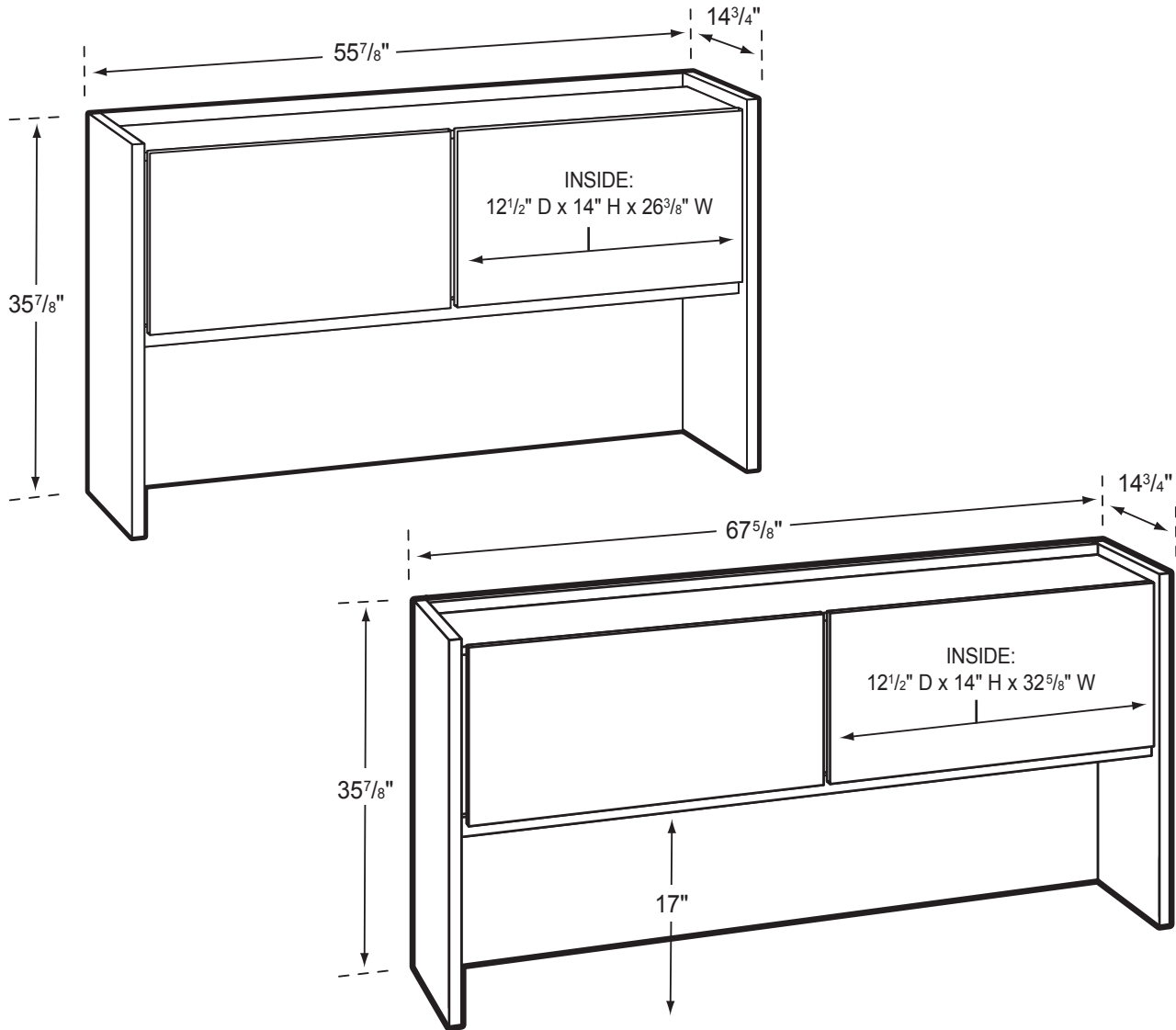


MH60-72

Hutch



Product Specs

- 1" thermal fused laminate sides
- $\frac{3}{4}$ " thermal fused laminate sides, back, shelf and Doors
- Cam and post construction
- Matched edge banding
- Flip up door hinge/slides