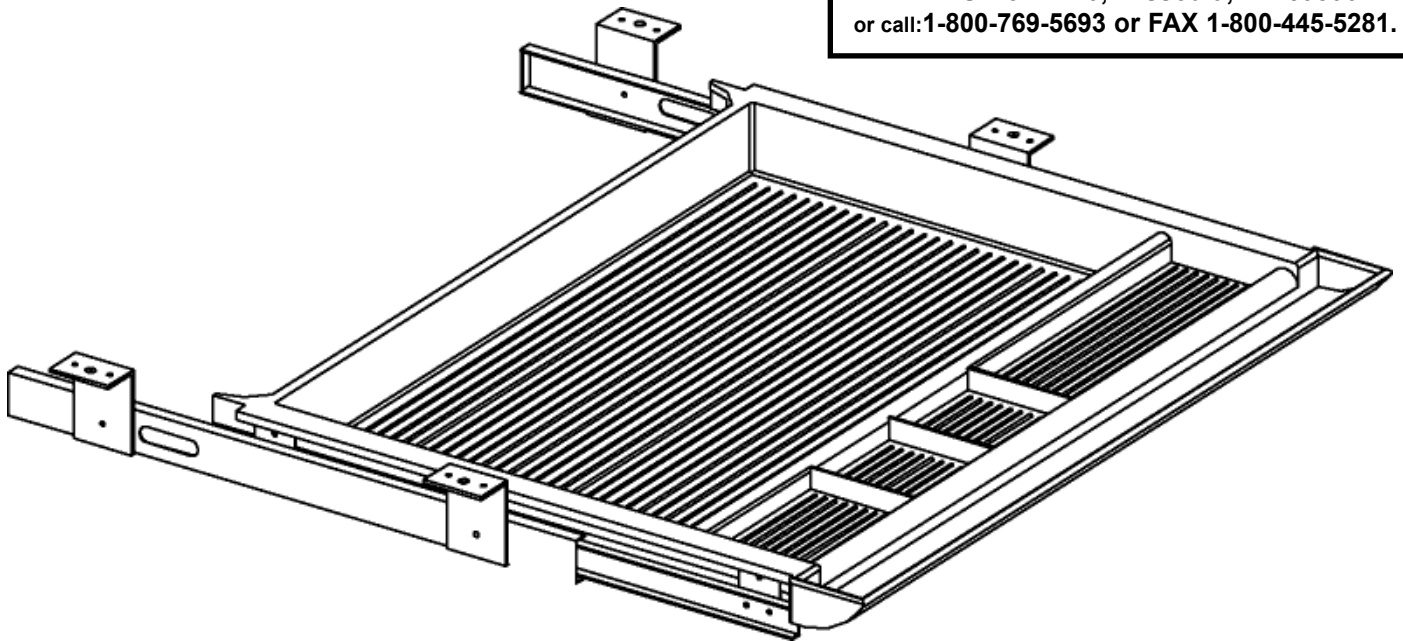




# APD PENCIL DRAWER

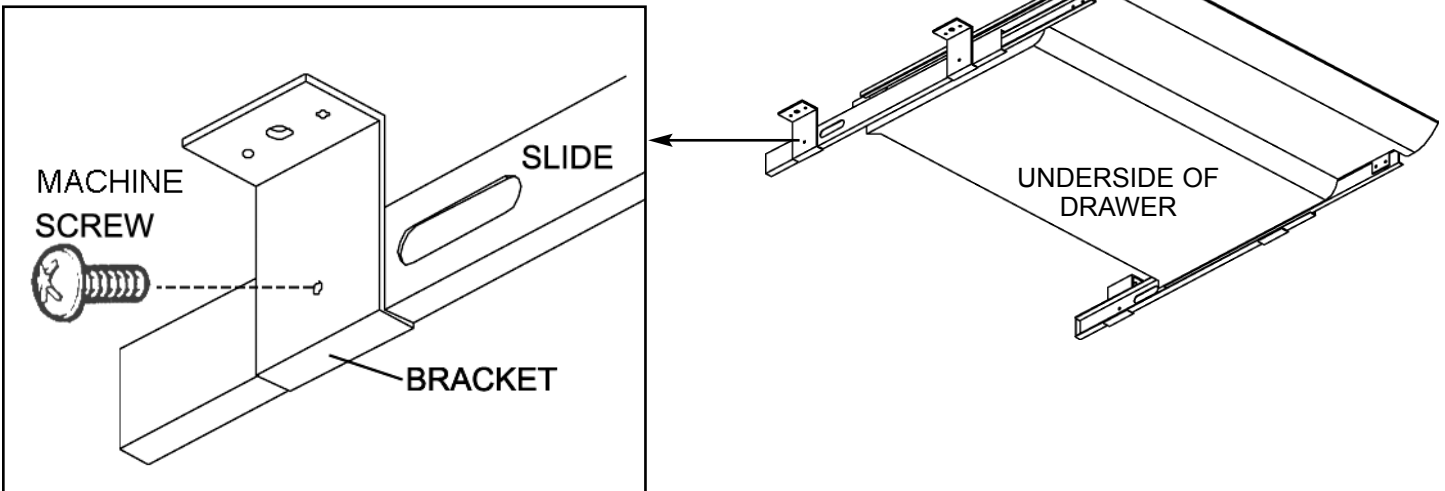
In the event any parts are missing from this package, send your name, address, telephone number, and a description of the missing part(s) to:

**PARTS Box 1420, Missoula, MT 59806**  
or call: 1-800-769-5693 or FAX 1-800-445-5281.



## #1 BRACKET ASSEMBLY

Mount four brackets (two brackets on each slide) using 1 small screw in the lower center hole of each bracket.



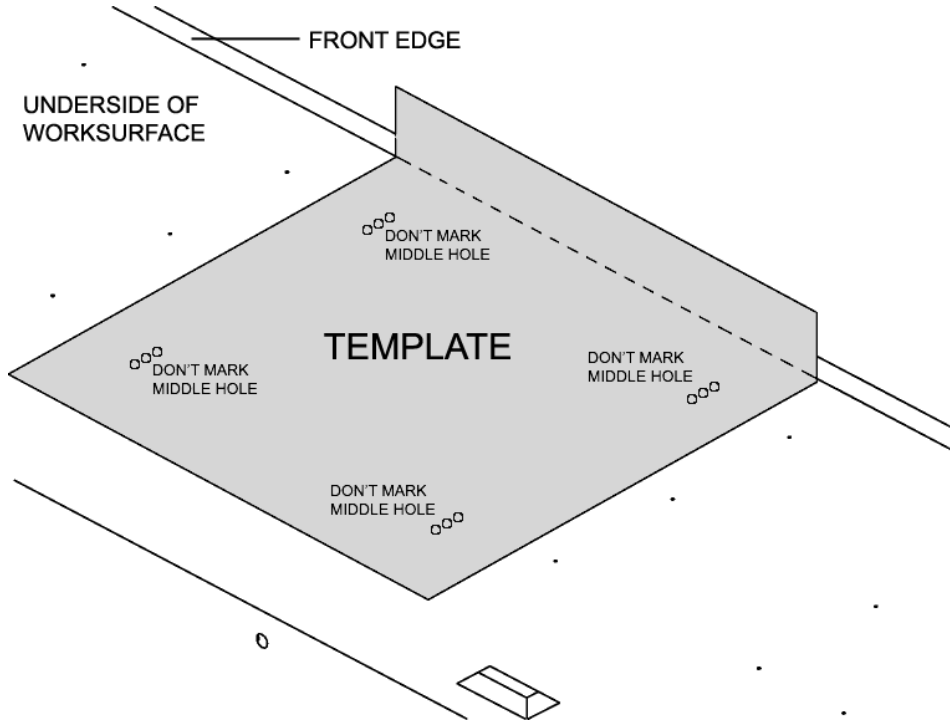
# #2

## DRAWER POSITIONING

Follow instructions on Drilling Template.

**NOTE:** Do not mark the center circle in each set of 3 circles. It is only necessary to mark the top and bottom circle.

**IMPORTANT!** Take care to drill each hole approximately 5/8" deep. You do not want to drill through the worksurface.



# #3

## DRAWER MOUNTING

Position brackets on underside of worksurface so that drilled holes align with small holes in the bracket tops. Affix drawer to worksurface using two large screws per bracket.

Assembly is complete and your Pencil Drawer is now ready for use.

