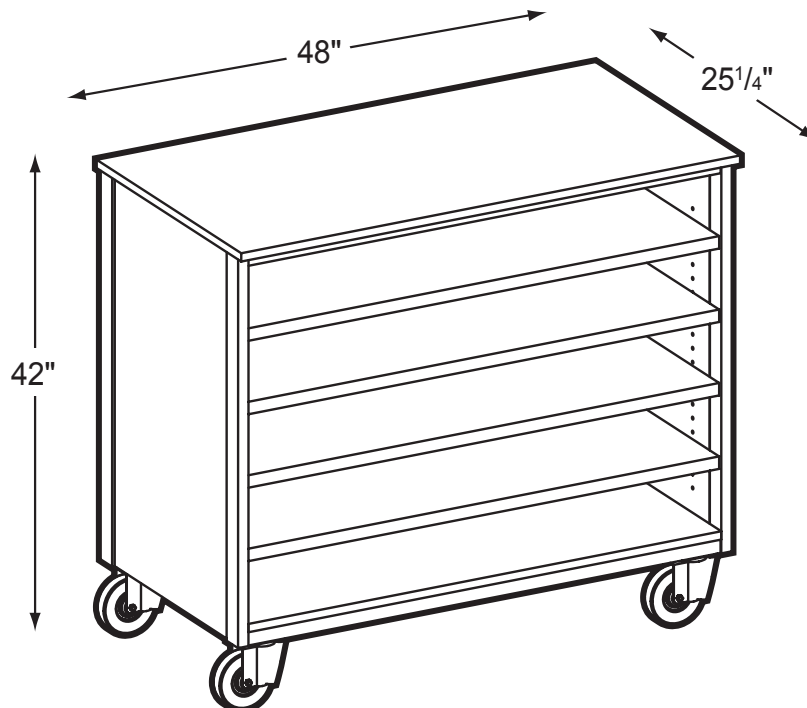


# 4073-O

## Open-Tote Tray Mobile



### Product Specs

- Fully welded unitized frame
  - 16 ga. tubing
  - 10 ga. angle iron
  - 18 ga. vertical side support channels
  - 18 ga. J channel for lower edge of back
  - 3/16" caster mounting plates
  - 5" casters (2 locking)
  - 5mm steel shelf supports
  - 3/4" thermal fused laminate
  - 3mm PVC edge banding on all semi and exposed edges
  - Four adjustable shelves
- Trays not included:
- 3 - T-102 tray per shelf or bottom
  - 4 - T-132 tray per shelf or bottom
  - 5 - T-100 tray per shelf or bottom