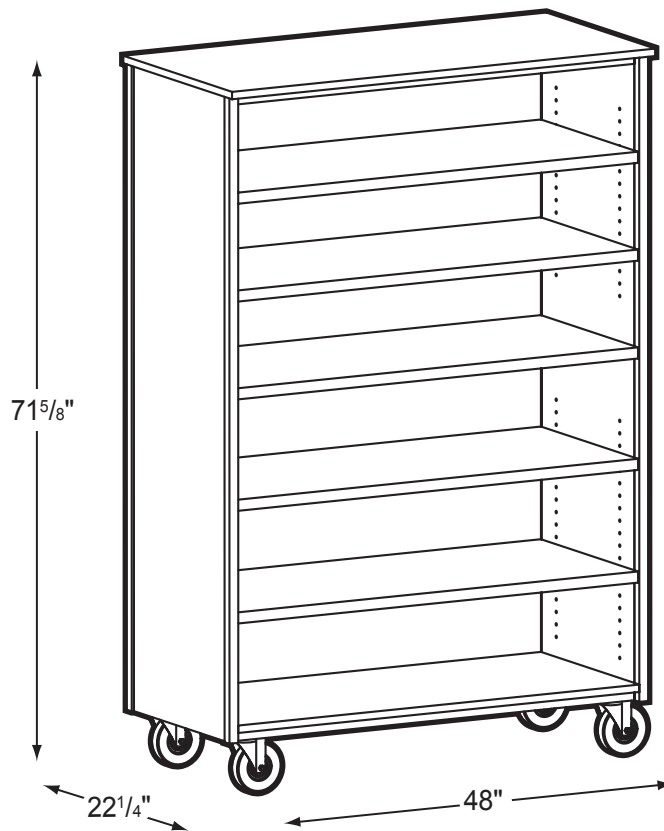


# 2041-O

## Open-General Storage



### Product Specs

- Fully welded unitized top and bottom frame
- 16 ga. tubing
- 10 ga. angle iron
- 3/16" caster mounting plates
- 5" casters (2 locking)
- 5mm steel shelf supports
- 3/4" thermal fused laminate
- 1" thermal fused laminate on shelves over 32.
- 3mm PVC edge banding on all semi and exposed edges
- Four adjustable shelves.
- One fixed shelf.