

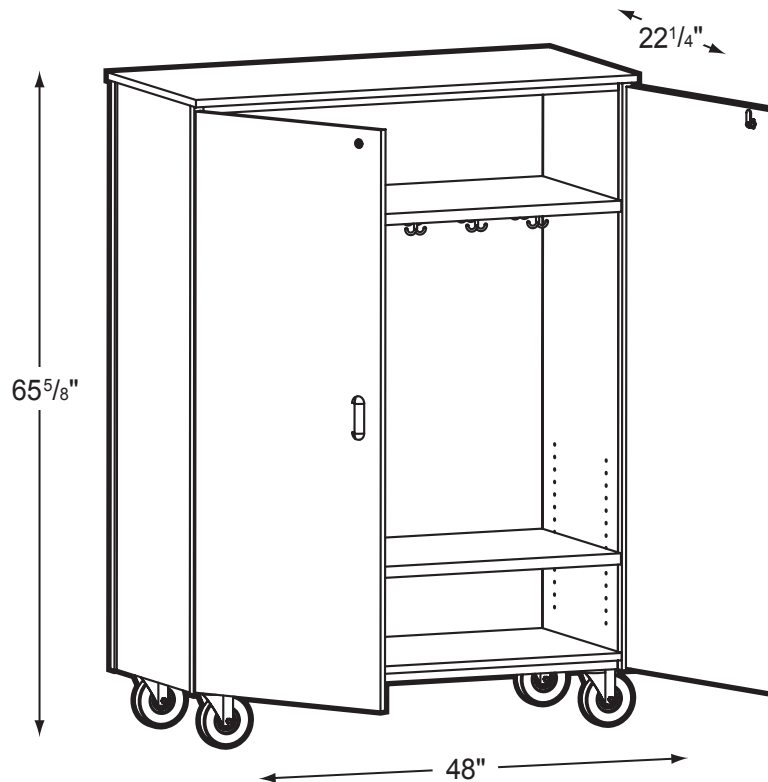


**IRONWOOD**  
MANUFACTURING

MOBILE 2000 SERIES

# 2036-CL

## Closed-Wardrobe w/Locks



### Product Specs

- Fully welded unitized top and bottom frame
- 16 ga. tubing
- 10 ga. angle iron
- 3/16" caster mounting plates
- 5" casters (2 locking)
- 5 knuckle hinges w/hospital tips
- Triple bar magnetic catch
- Hooded abs plastic four fingered pull
- Five disk cam lock
- Cast double prong coat hook
- 3/4" thermal fused laminate
- 1" thermal fused laminate on shelves over 32"
- 3mm PVC edge banding on all semi and exposed edges
- One adjustable shelf
- One fixed shelf w/13 hooks

0309

Ironwood Manufacturing • P.O. Box 1420 • Missoula, Montana 59806  
(406) 721-4747 • (800) 769-5693 • fax (406) 721-8424 • [www.ironwoodmfg.com](http://www.ironwoodmfg.com)