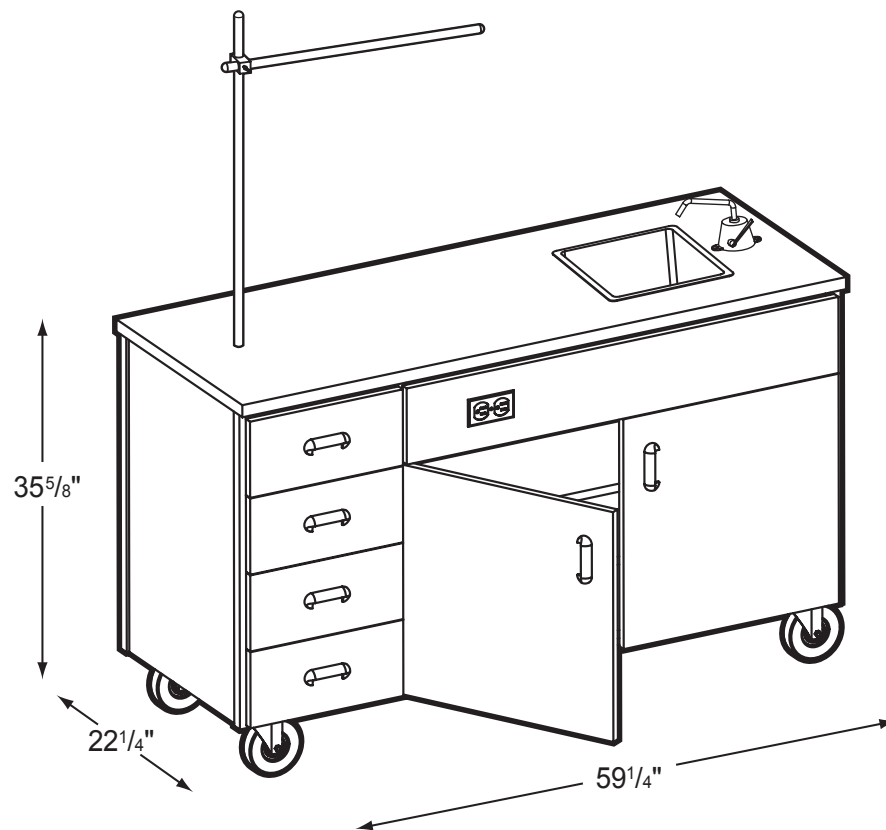


1094

Science Mobile



Product Specs

- Fully welded unitized frame
- 16 ga. tubing
- 10 ga. angle iron
- 3/16" caster mounting plates
- 5" casters (2 locking)
- 5mm steel shelf supports
- 5 knuckle hinges w/hospital tips
- Triple bar magnetic catch
- Hooded abs plastic four fingered pull
- 100# rated 2/3 extension drawer slide w/lock
- Duplex outlet with 9' pig tail
- Stainless steel sink 9" x 11"
- Rocker pump
- 2 - 2-1/2 gallon supply and waste jugs
- 3/4" thermal fused laminate
- 1" chemical resistant hpl top
- 3mm PVC edge banding on all semi and exposed edges
- Two adjustable shelves
- Four box drawers

0208