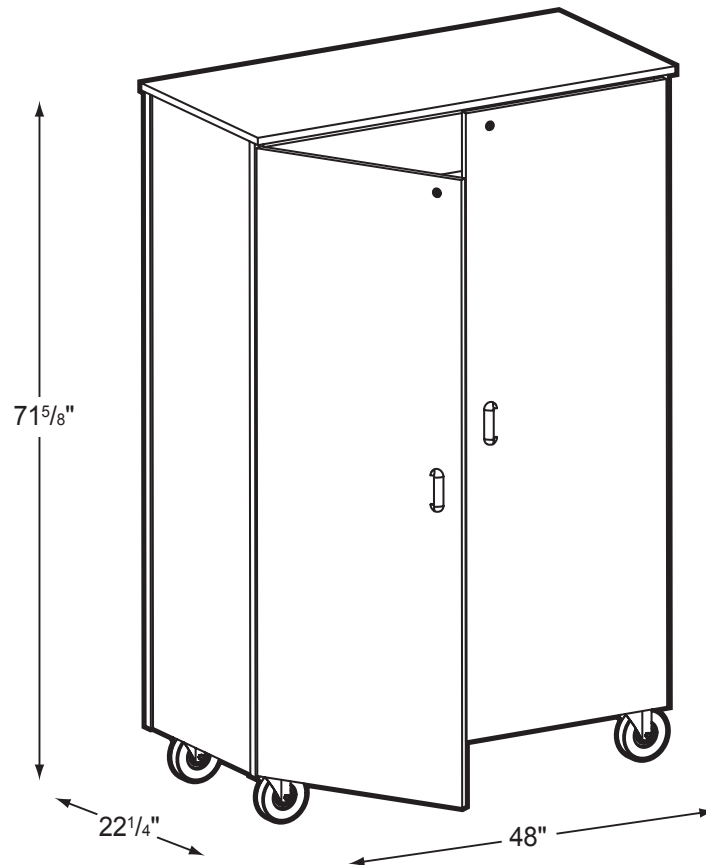


# 1077-C

## Closed-Tote Tray



### Product Specs

- Fully welded unitized frame
- 10 ga. angle iron
- 3/16" caster mounting plates
- 5" casters (2 locking)
- 5mm steel shelf supports
- 5 knuckle hinges w/hospital tips
- Triple bar magnetic catch
- Hooded abs plastic four fingered pull
- 3/4" thermal fused laminate
- 3mm PVC edge banding on all semi and exposed edges.
- Nine adjustable shelves.

Trays not included:

3 - T-102 tray per shelf or bottom

4 - T-132 tray per shelf or bottom

5 - T-100 tray per shelf or bottom