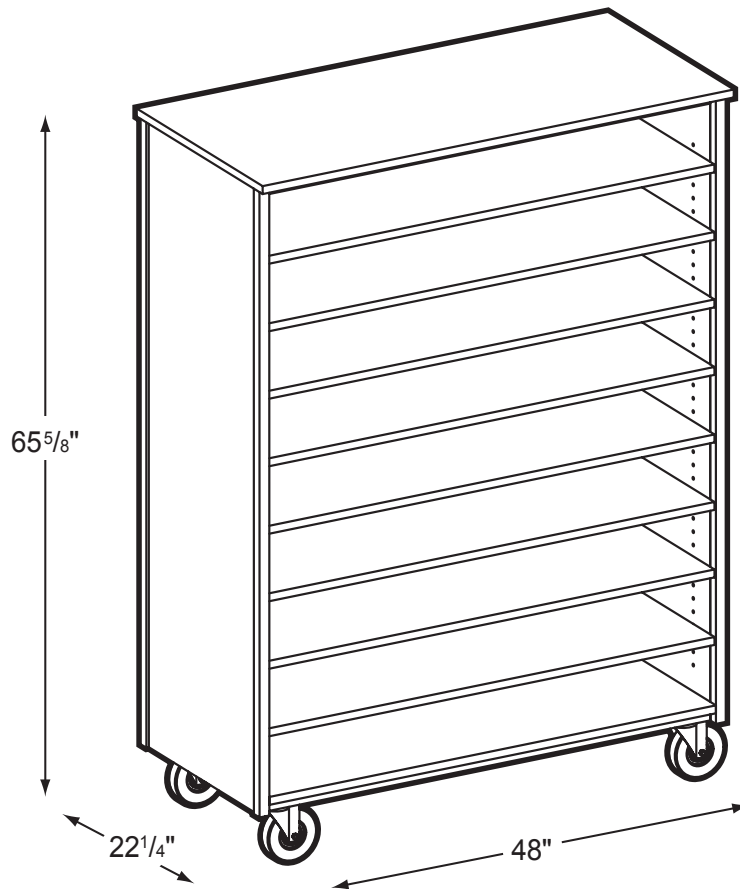


1076-0

Open-Tote Tray



Product Specs

- Fully welded unitized frame
 - 10 ga. angle iron
 - 3/16" caster mounting plates
 - 5" casters (2 locking)
 - 5mm steel shelf supports
 - 3/4" thermal fused laminate
 - 3mm PVC edge banding on all semi and exposed edges.
 - Nine adjustable shelves.
- Trays not included:
- 3 - T-102 tray per shelf or bottom
 - 4 - T-132 tray per shelf or bottom
 - 5 - T-100 tray per shelf or bottom