

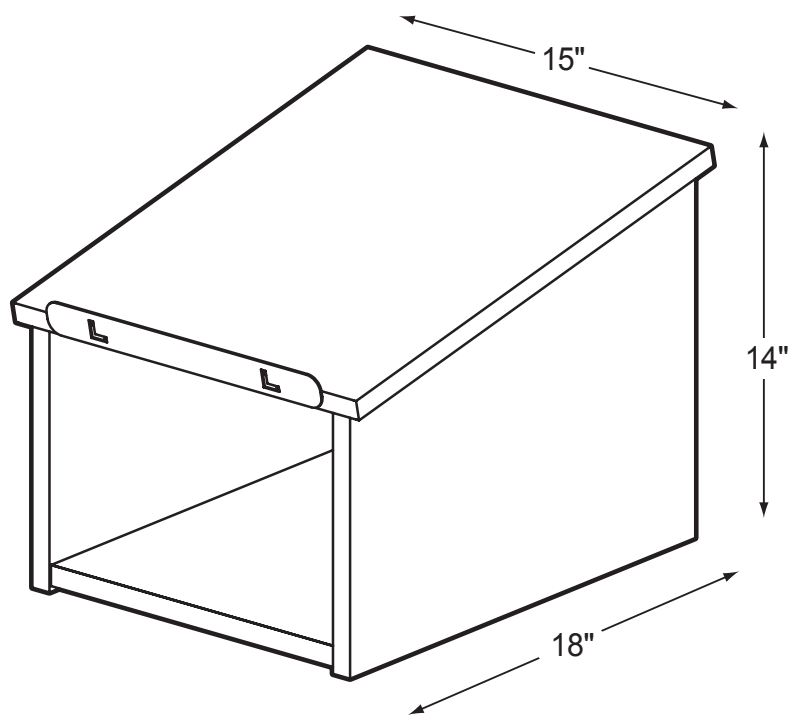


IRONWOOD
MANUFACTURING

GLACIER
LIBRARY FURNITURE

TCL

Teacher's Cart Lectern



Product Specs

- 1" thermal fused laminate top, sides, bottom and shelves
- Matched edge banding
- 16 gage welded support frame
- 16 gage shelf support and book stop
- Powder coat finish
- Sixteen chrome 5mm book dividers
- Tab V locking shelf pins
- Tab V adjustable shelf pins

0208