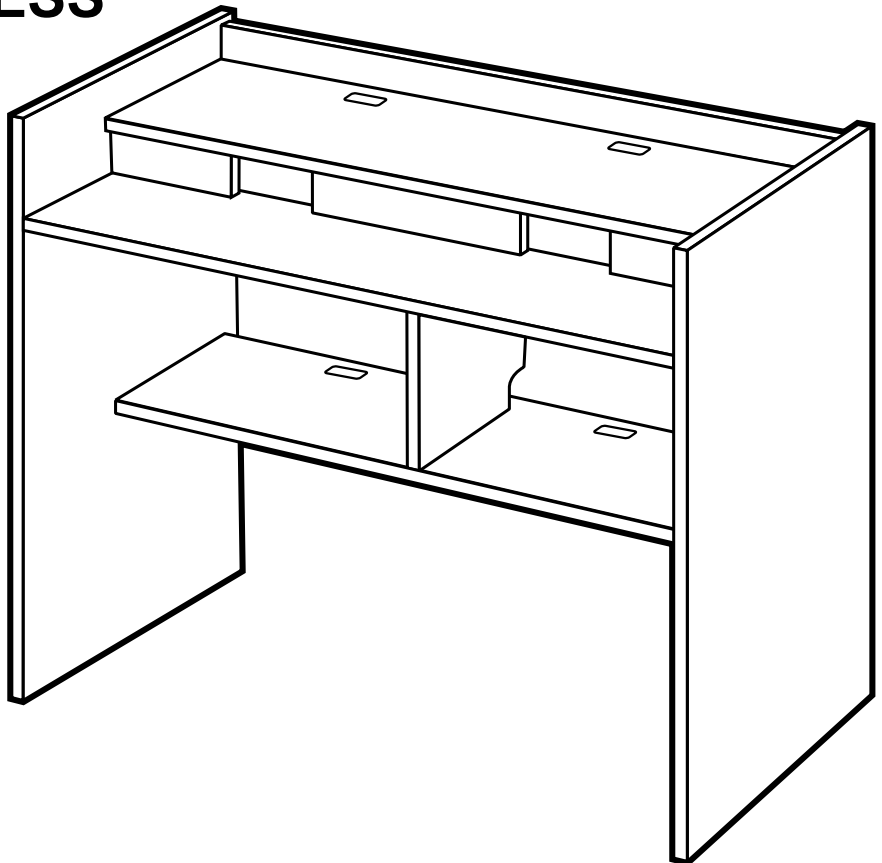




BY  **IRONWOOD**

PA6032-PA6039

PATRON ACCESS STATION



IMPORTANT!

Assembly may require the assistance of another person.

Before you begin assembly:

READ THE DIRECTIONS all the way through one time. This will speed up the process and help you understand the sequence of steps.

COUNT THE PARTS AND HARDWARE before assembly. This ensures you have received all necessary parts before you begin.

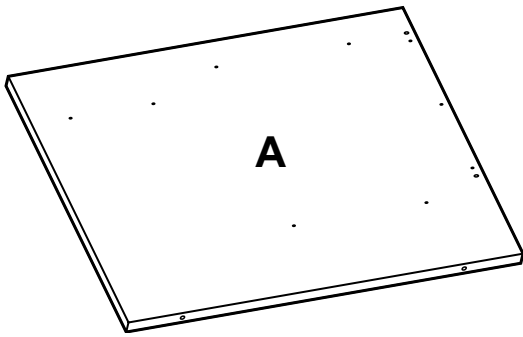
TOOLS: You may need a Phillips head screwdriver, a medium slotted screwdriver or a plastic mallet. To protect your new furniture from damage during assembly, it is recommended to work on a carpeted surface.

In the event any parts are missing from this package, send your name, address, telephone number, and a description of the missing part(s) to: **PARTS, Box 1420, Missoula, MT 59806** or call: **1-800-769-5693** or **FAX 1-800-445-5281**.

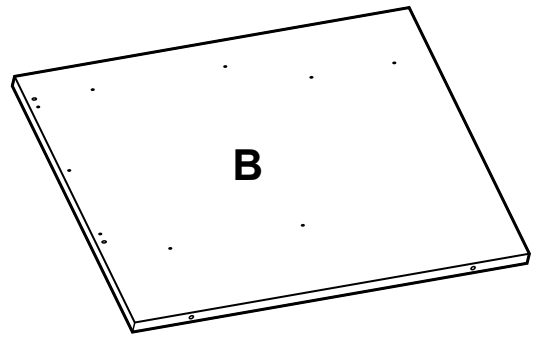
CAUTION: On assemblies requiring glue, make sure the unit is assembled correctly before gluing. Once this unit is assembled with glue, the manufacturer will not be responsible for damaged parts. Keep a damp cloth or sponge handy to wipe off excess glue.

To care for this furniture, simply wipe with a cloth dampened with glass cleaner containing ammonia-D.

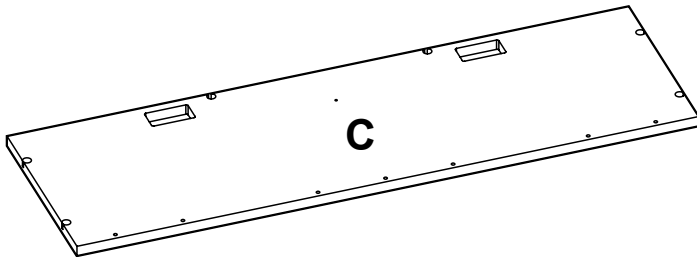
PARTS DIAGRAM



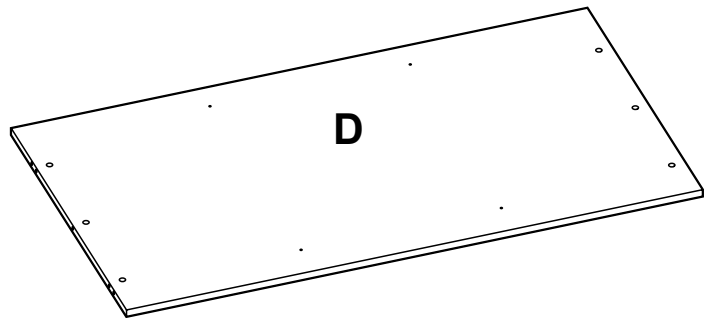
Left-PA6032	01102541	1 ea.
Left-PA6039	01102641	1 ea.



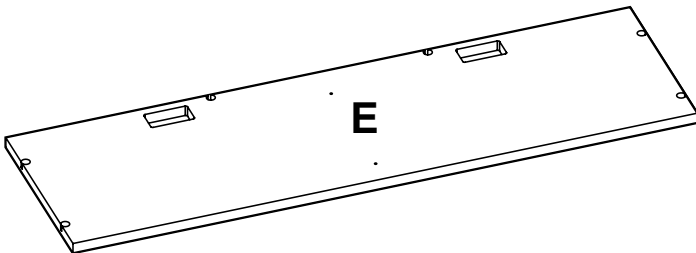
Right Side-PA6032	01102541	1 ea.
Right Side-PA6039	01102641	1 ea.



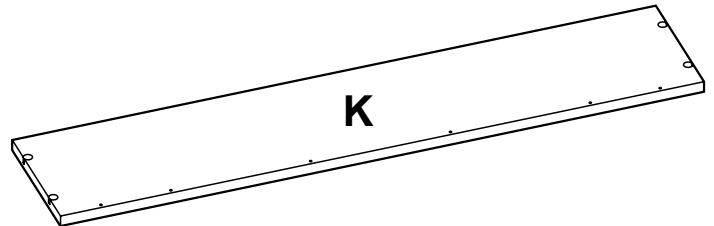
Top	01102701	1 ea.
-----	----------	-------



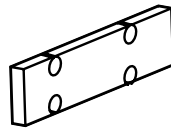
Back	01102752	1 ea.
------	----------	-------



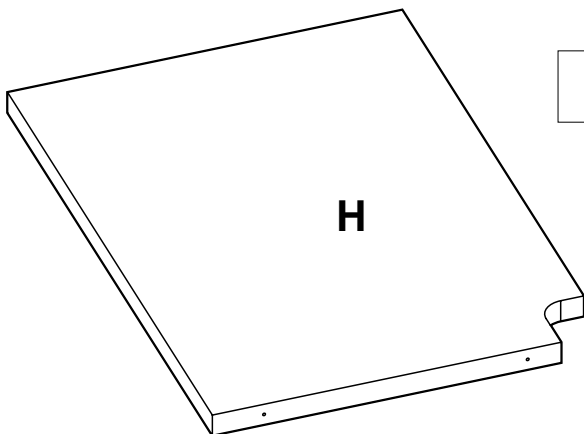
Storage Shelf	01102732	1 ea.
---------------	----------	-------



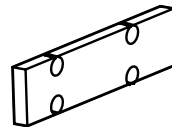
Keyboard Shelf	01102728	1 ea.
----------------	----------	-------



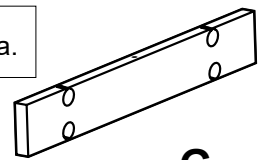
Left Support	01012788	1 ea.
--------------	----------	-------



Divider	01102744	1 ea.
---------	----------	-------



Right Support	01012788	1 ea.
---------------	----------	-------



Center Support	01012590	1 ea.
----------------	----------	-------

HARDWARE



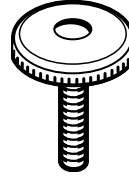
H1	Rafix Cam	909909	24 ea.
----	-----------	--------	--------



H2	Rafix Flush Cam	909834	12 ea.
----	-----------------	--------	--------



H3	Leveler Insert	274650	4 ea.
----	----------------	--------	-------



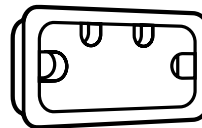
H4	Leveler	300870	4 ea.
----	---------	--------	-------



H6	Rafix Bolt	909925	21 ea.
----	------------	--------	--------



H8	Confirmat Screw	950100	8 ea.
----	-----------------	--------	-------



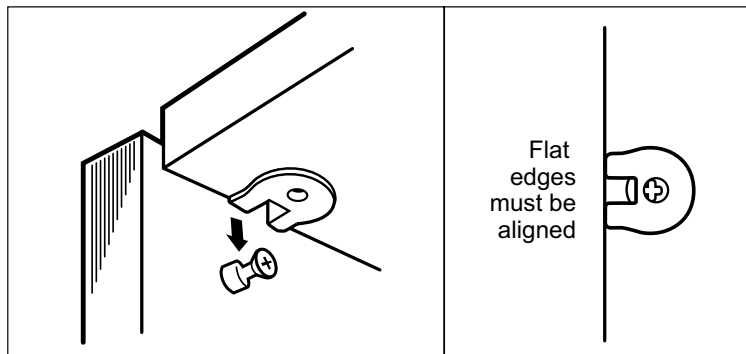
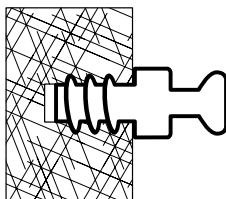
H9	Grommet	286580	4 ea.
----	---------	--------	-------

Using the Rafix System:

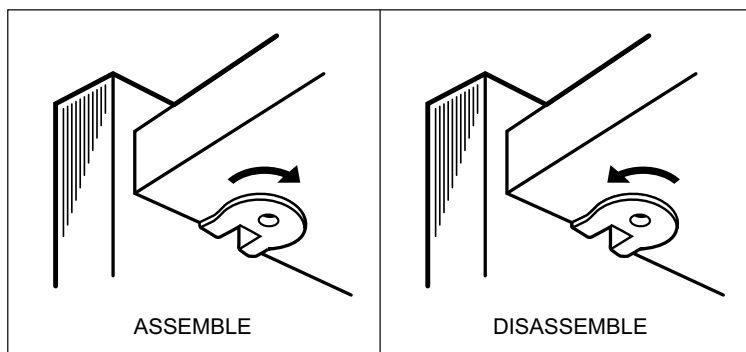
Insert the Rafix Cams into the appropriate holes. The flat edge of the cam should be facing the edge of the panel.

Slide Rafix Cams of the panel to be attached onto the corresponding posts.

When screwing post into hole, **Do Not** over tighten. Screw post down until bottom face of post flange just touches board surface.

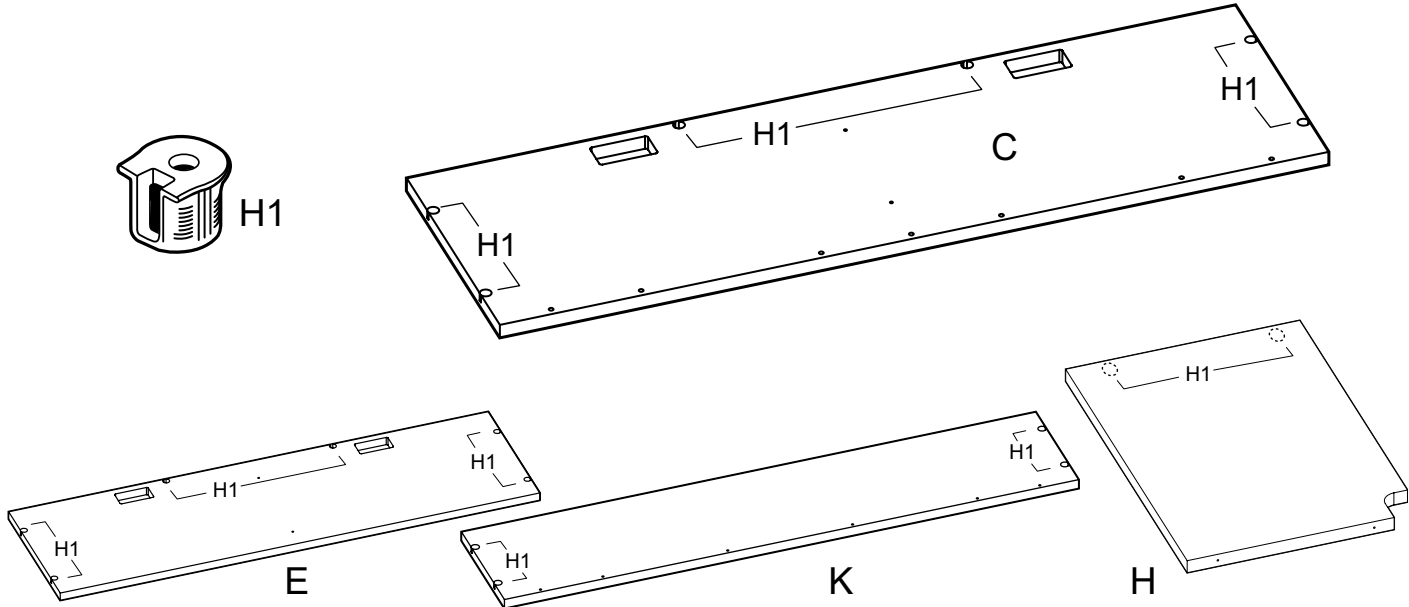


Using a #3 Phillips screwdriver, turn the rotating portion of the Rafix Cam a 1/2 turn clockwise to secure. **IMPORTANT!** Do not exceed 1/2 turn when tightening cams. Turn 1/2 turn counterclockwise to disassemble and remove panel.



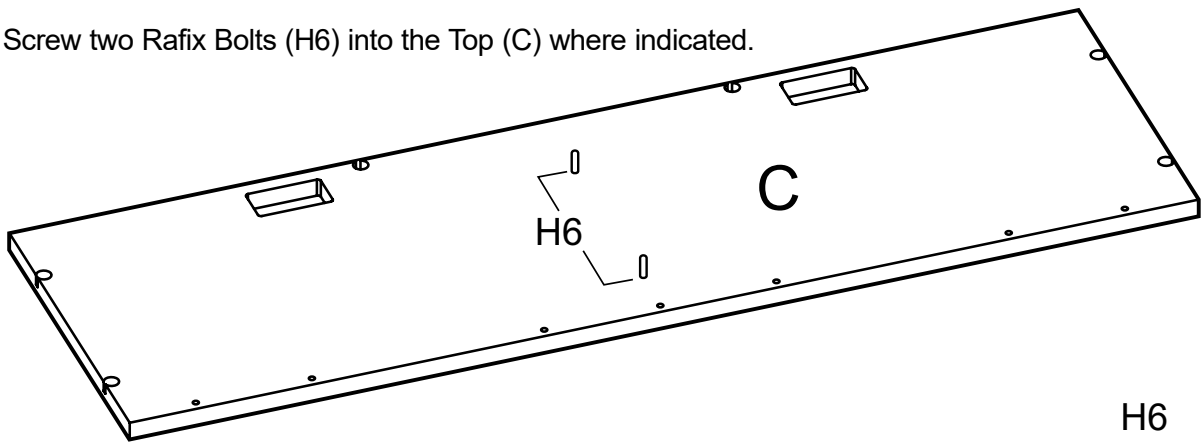
#1

Place the Top (C) Divider (H), Storage Shelf (E), and Keyboard Shelf (K) on a clean, carpeted surface as shown. Tap in Rafx Cams (H1) into each panel where indicated with the flat edges aligned.

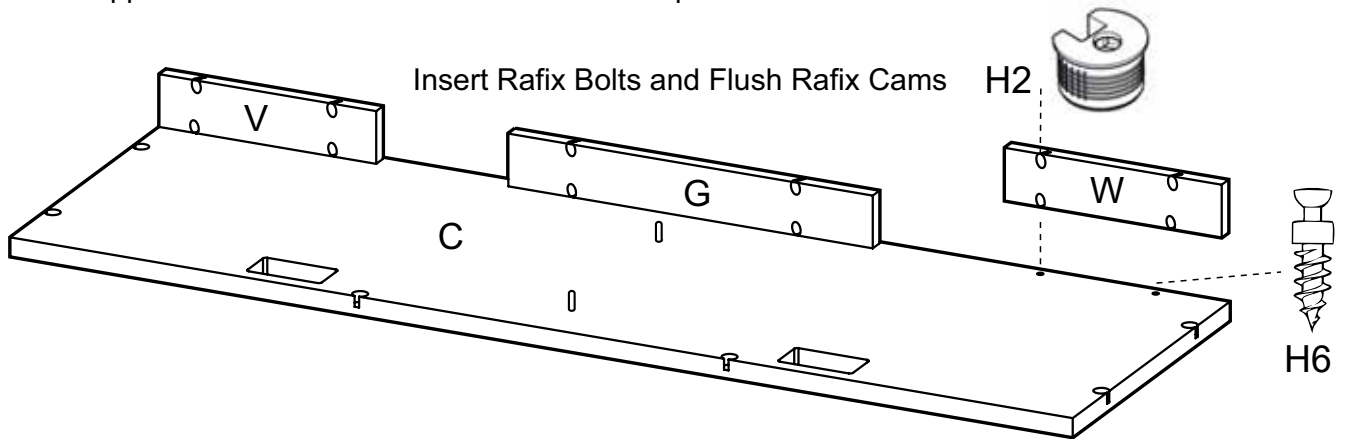


#2

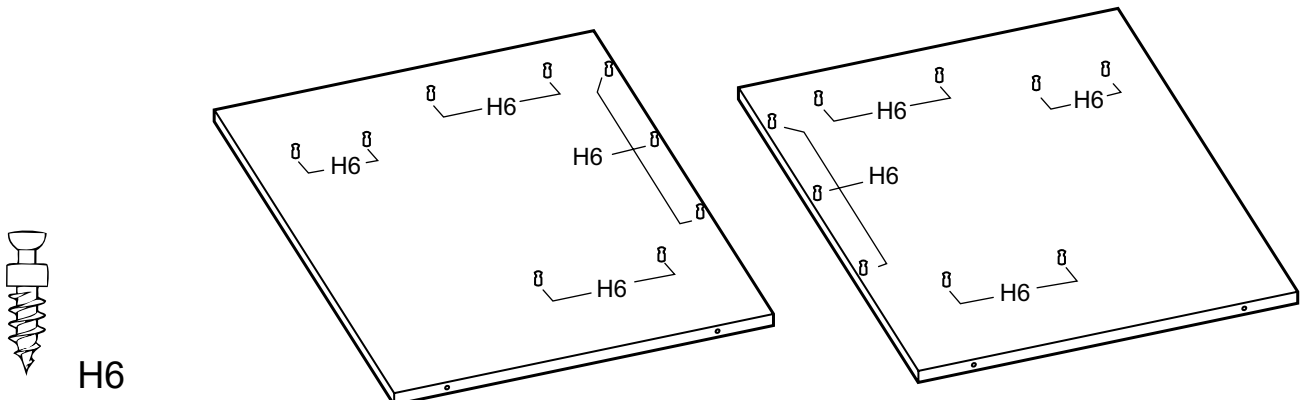
Screw two Rafix Bolts (H6) into the Top (C) where indicated.

**#3**

Place Rafix flush cams (H2) into center support (G), Left Support (V) and Right Support (W). Then place rafix bolt (H6) into each hole in Top (C) to allow each support to sit upon. Place each support and turn Rafix Flush cam to lock into place.

**#4**

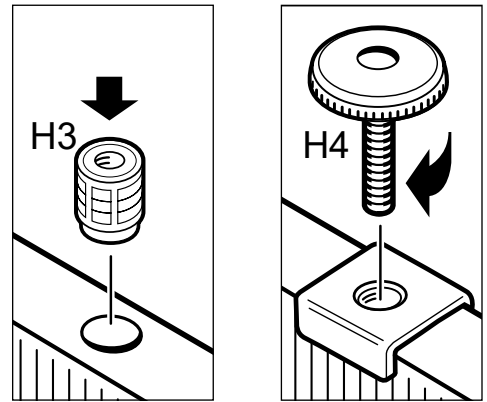
Screw nine Rafix Bolt (H6) into the Left Side (A) and Right Side (B) where indicated.



#5

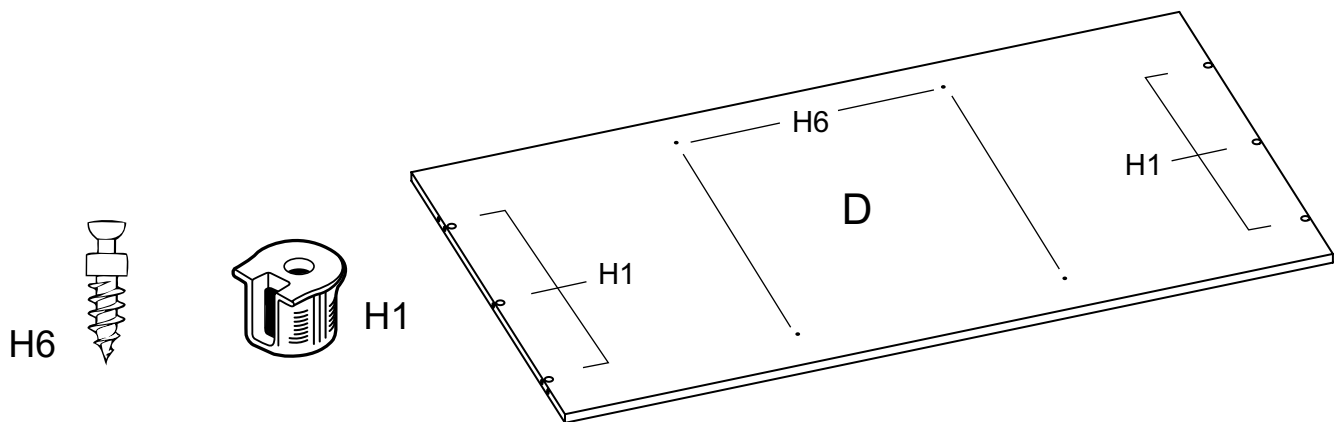
Insert Leveler Inserts (H3) into the holes in the bottom edges of Left Side (A) and Right Side (B) and tap into place. Screw the Levelers (H4) into the Leveler Inserts.

Adjust the Levelers when the assembled unit is in place.



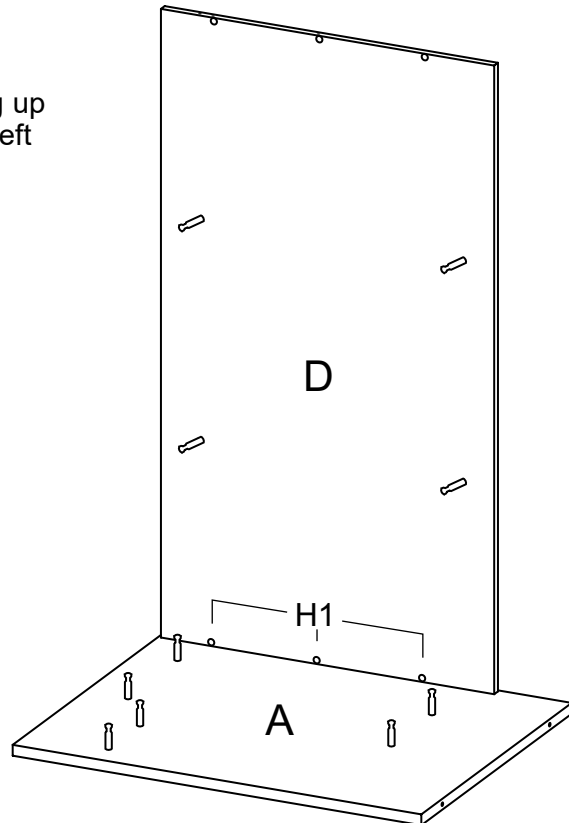
#6

Screw four Rafix Bolts (H6) into the Back Panel (D) where indicated. Insert six Rafix Cams (H1) into the Back with the arrows of the Cams facing out.



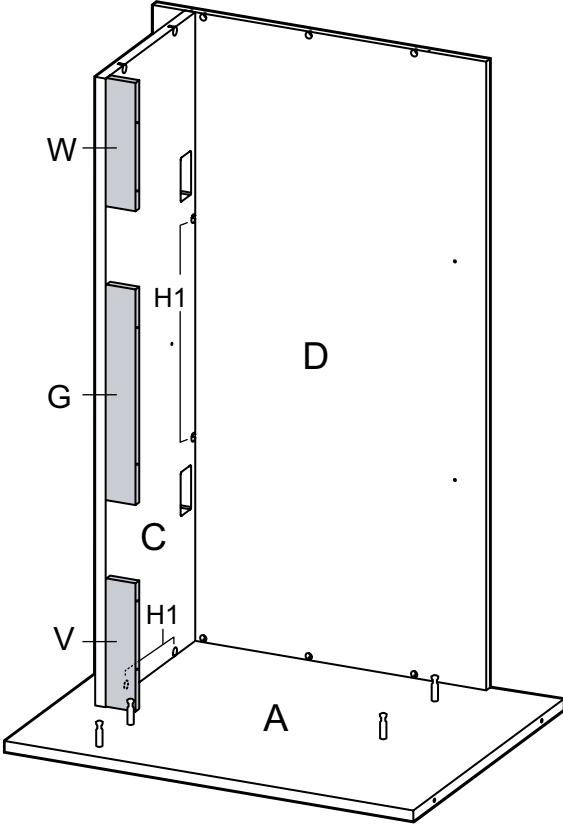
#7

Place the Left Side (A) with the bolts facing up as shown. Position the Back (D) onto the Left Side and turn the cams (H1) secure.



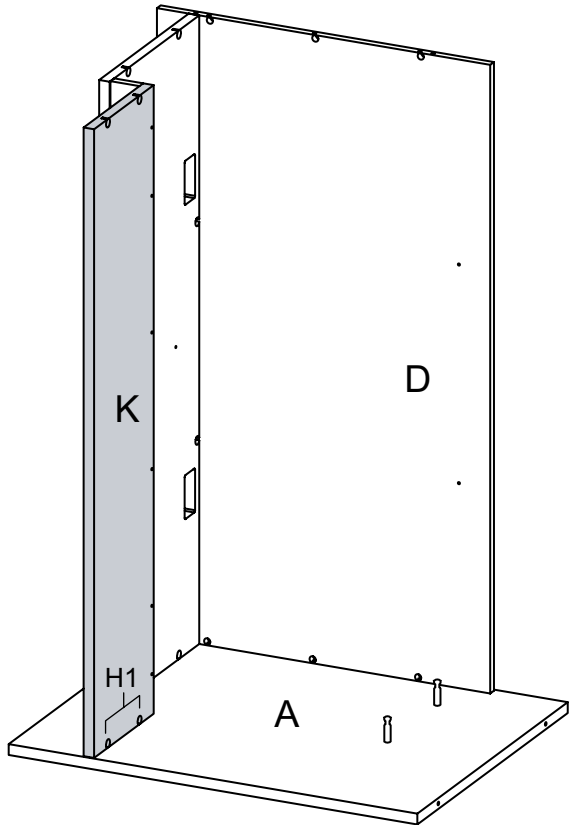
#8

Position the top (C) and Support Panel (G, V, & W) assembly onto the Left Side (A) and turn Rafix Cams (H1) clockwise to secure.



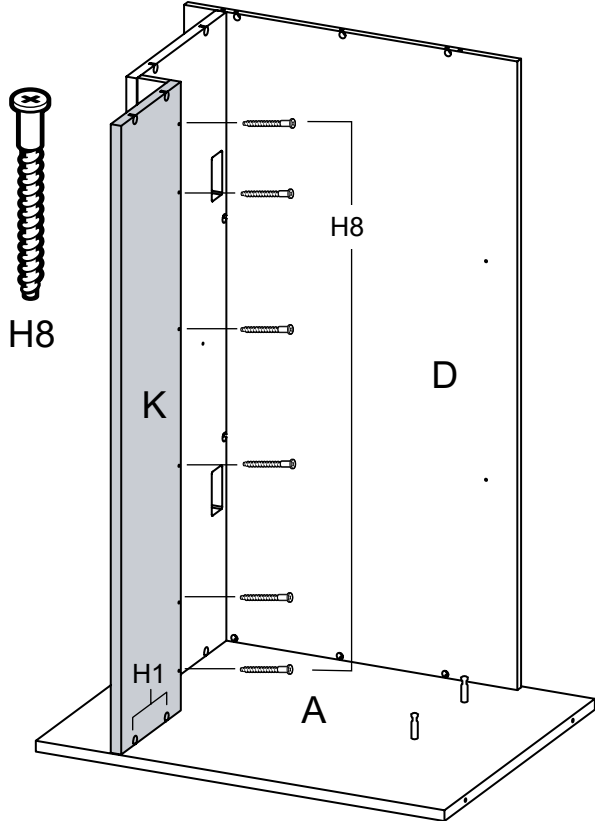
#9

Position the Keyboard Shelf (K) onto the Left Side (A) as shown and turn Rafix Cams (H1) clockwise to secure.



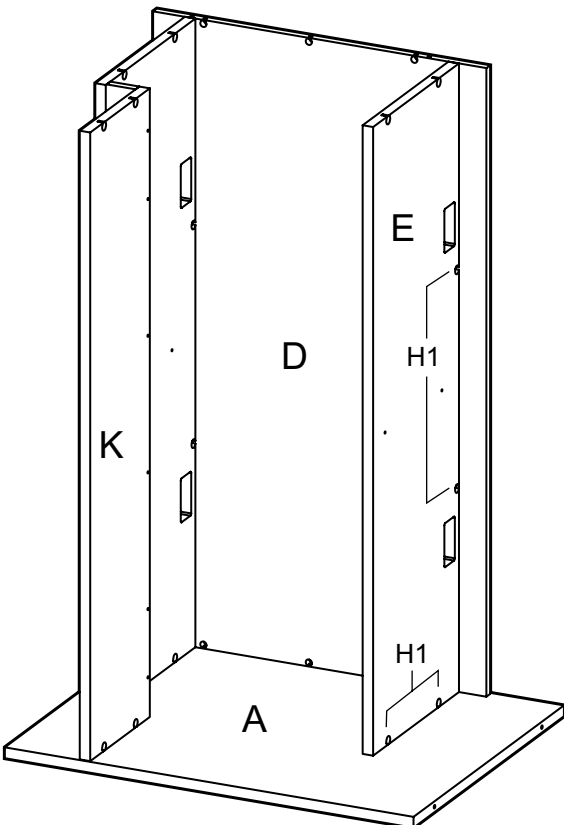
#10

Secure the Keyboard Shelf (K) to the Left Support (V), Center Support (G), and Right Support (W) using the Confirmat Screws (H8).



#11

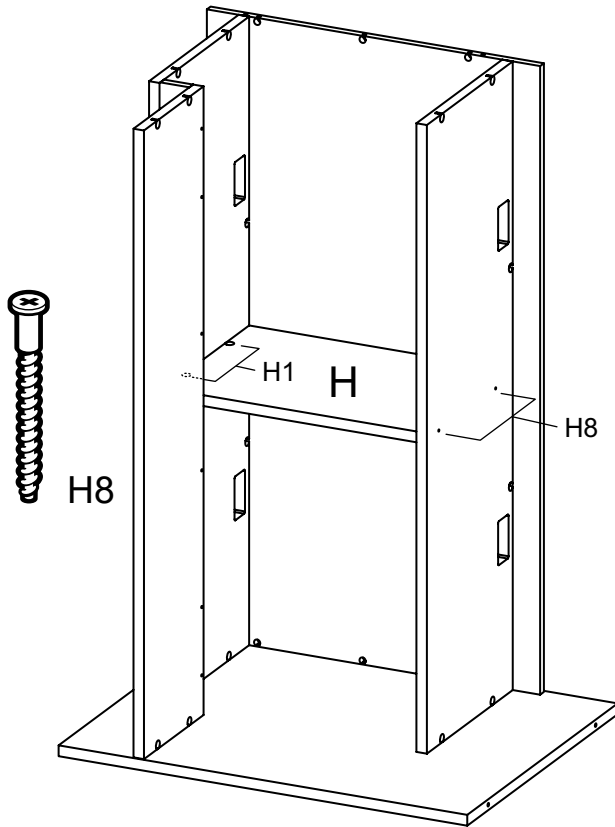
Position the Storage Shelf (E) onto the Left Side (A) and turn Rafix Cams (H1) clockwise to secure.



#12

Position the Divider (H) onto the Top (C) and turn Rafx Cams (H1) clockwise to secure.

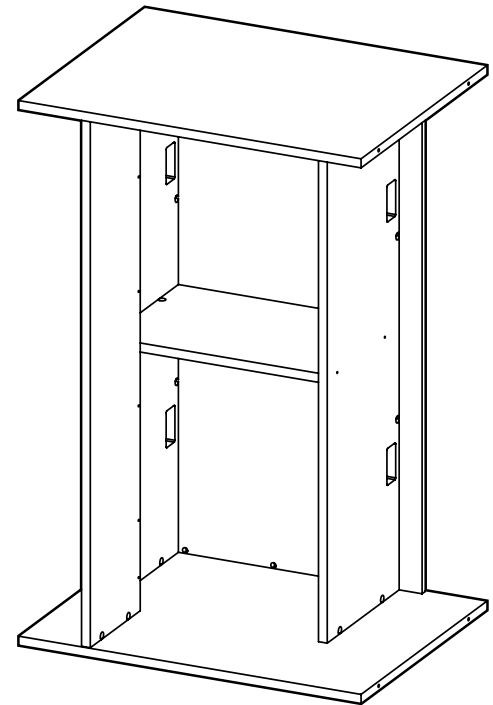
Secure the Divider (H) to the Storage Shelf (E) using two Confirmat Screws (H8).



#13

Position the bolts and dowels of the Right Side (B) onto the unit and turn cams clockwise to lock in place.

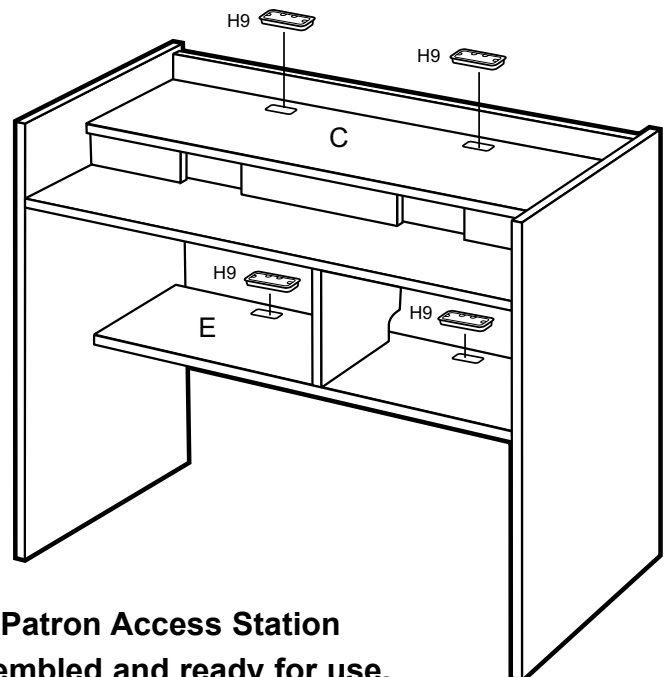
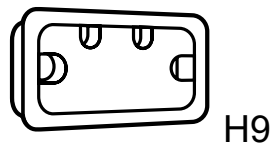
There will be six Rafx and three Minifix Cams to tighten.



#14

With the help of another person, turn the unit upright.

Insert two Grommets (H9) each into the Top (C) and the Storage Shelf (E).



**Your Glacier Patron Access Station
is now fully assembled and ready for use.**