

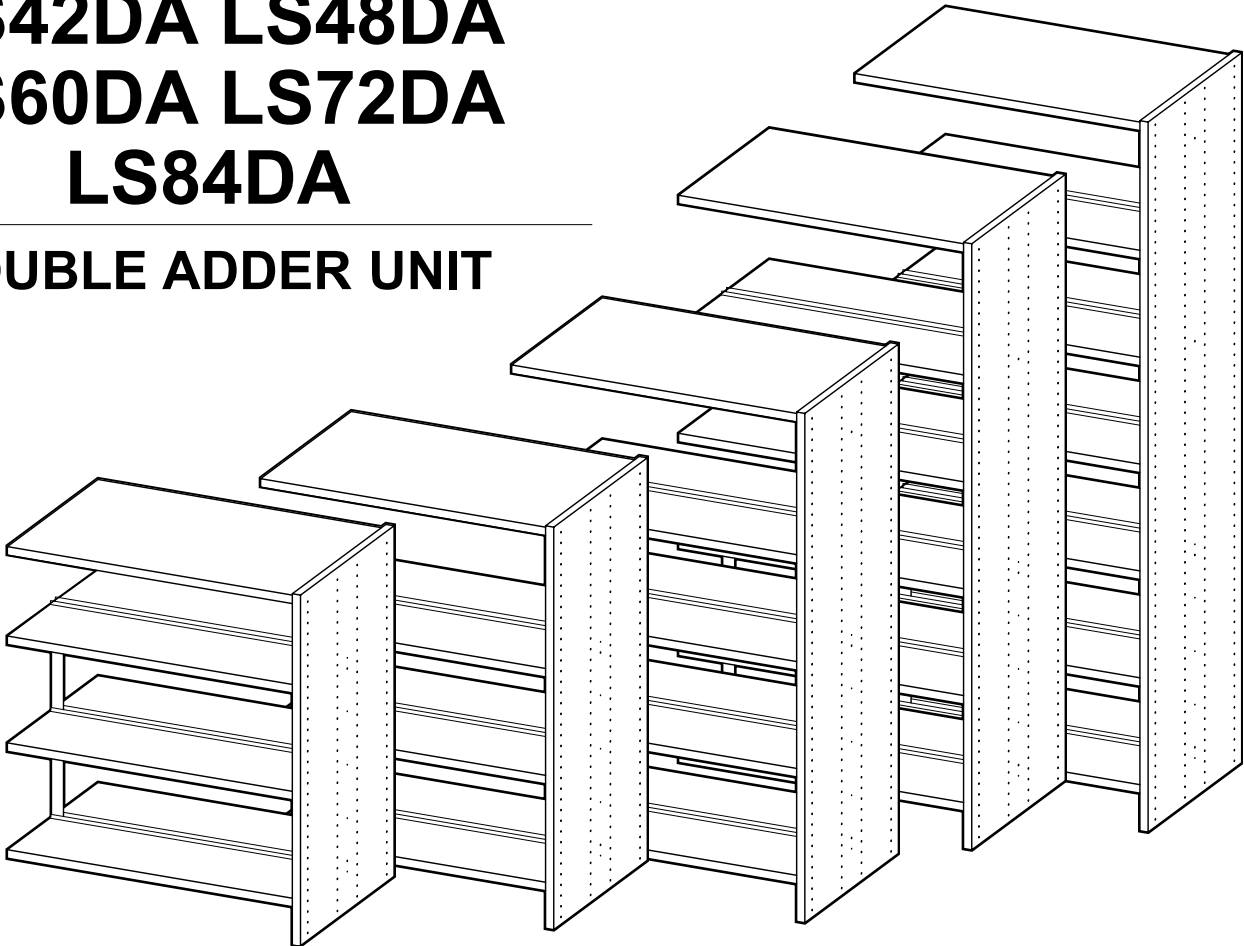


BY  **IRONWOOD**

LIBRARY SHELVING UNIT

**LS42DA LS48DA
LS60DA LS72DA
LS84DA**

DOUBLE ADDER UNIT



Thank you for purchasing Ironwood Shelving. Please consult your local building codes when installing shelving. It is recommended that all single face shelving be attached to the wall, while double face shelving over 60" in height should be attached to the floor. These are guide lines and vary from state to state.

IMPORTANT!

Assembly may require the assistance of another person.

Before you begin assembly:

READ THE DIRECTIONS all the way through one time. This will speed up the process and help you understand the sequence of steps.

COUNT THE PARTS AND HARDWARE before assembly. This ensures you have received all necessary parts before you begin.

TOOLS: You may need a Phillips head screwdriver, a medium slotted screwdriver or a plastic mallet. To protect your new furniture from damage during assembly, it is recommended to work on a carpeted surface.

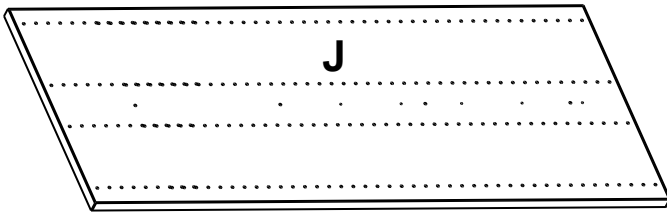
In the event any parts are missing from this package, send your name, address, telephone number, and a description of the missing part(s) to: **PARTS, Box 1420, Missoula, MT 59806** or call: **1-800-769-5693** or **FAX 1-800-445-5281**.

CAUTION: On assemblies requiring glue, make sure the unit is assembled correctly before gluing. Once this unit is assembled with glue, the manufacturer will not be responsible for damaged parts. Keep a damp cloth or sponge handy to wipe off excess glue.

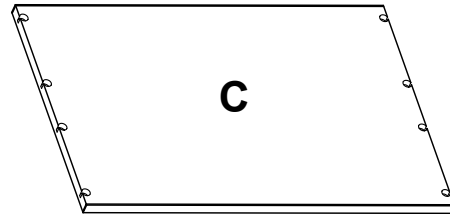
To care for this furniture, simply wipe with a cloth dampened with glass cleaner containing ammonia-D.

PARTS DIAGRAM

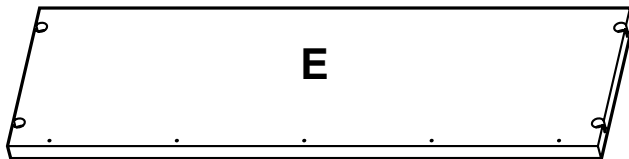
The diagram show one size for ease of viewing. Any differences will be indicated in each part's description.



Divider	LS42DA	01300144	1 ea.
	LS48DA		1 ea.
	LS60DA		1 ea.
	LS72DA		1 ea.
	LS84DA		1 ea.



Top	01300101	1 ea.
-----	----------	-------

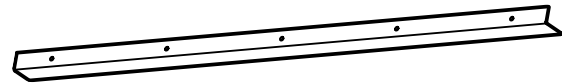


Fixed/ Adjustable Shelf	LS42DA	01200124	6 ea.
	LS48DA		6 ea.
	LS60DA		8 ea.
	LS72DA		10 ea.
	LS84DA		12 ea.



HARDWARE

H1	Rafx Cam	909910	LS42DB - 16 ea.
			LS48DB - 16 ea.
			LS60DB - 16 ea.
			LS72DB - 16 ea.
			LS84DB - 16 ea.



H2	Book Stop	412226	LS42DA - 6 ea.
			LS48DA - 6 ea.
			LS60DA - 8 ea.
			LS72DA - 10 ea.
			LS84DA - 12 ea.



H3	# 8 x 5/8" Panhead Screw	988056	LS42DA - 40 ea.
			LS48DA - 40 ea.
			LS60DA - 50 ea.
			LS72DA - 60 ea.
			LS84DA - 70 ea.

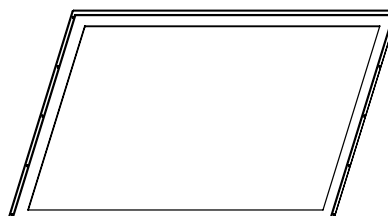


H4	Rafx Bolt	909923	16 ea.
----	-----------	--------	--------



H6	Rafx Shelf Pin	909924	16 ea.
----	----------------	--------	--------

H5	Rafx Shelf Cam	909912	LS42DB - 16 ea.
			LS48DB - 16 ea.
			LS60DB - 24 ea.
			LS72DB - 32 ea.
			LS84DB - 40 ea.



H7	Metal Frame	412026	1 ea.
----	-------------	--------	-------

If you have purchased the Back option or the Toe Space option to be assembled in conjunction with this Base unit,

it is important to read through the Back option and/or Toe Space option directions before beginning.

NOTE:

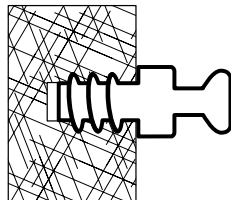
**The diagrams show one size for ease of viewing.
Any differences will be indicated in each step's text.**

Using the Rafix System:

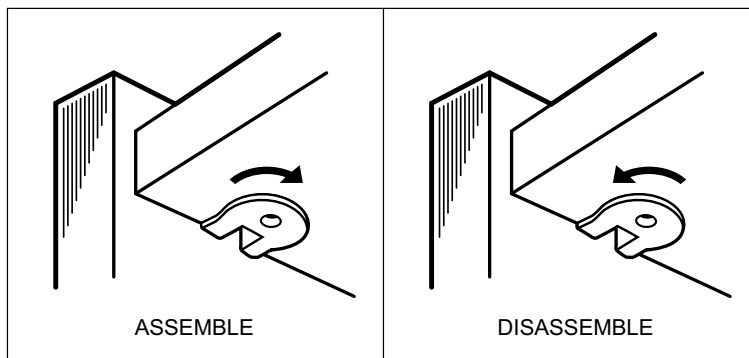
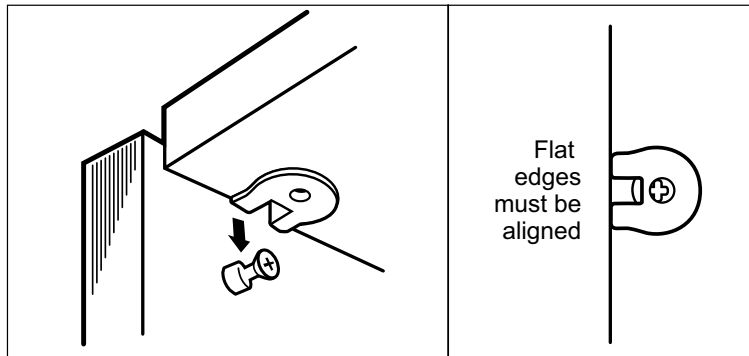
Insert the Rafix Cams into the appropriate holes. The flat edge of the cam should be facing the edge of the panel.

Slide Rafix Cams of the panel to be attached onto the corresponding posts.

When screwing post into hole, **Do Not** over tighten. Screw post down until bottom face of post flange just touches board surface.

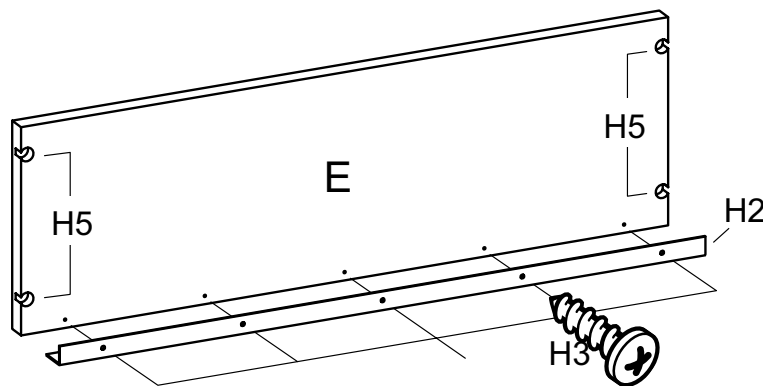


Using a #3 Phillips screwdriver, turn the rotating portion of the Rafix Cam a 1/2 turn clockwise to secure. **IMPORTANT!** Do not exceed 1/2 turn when tightening cams. Turn 1/2 turn counterclockwise to disassemble and remove panel.



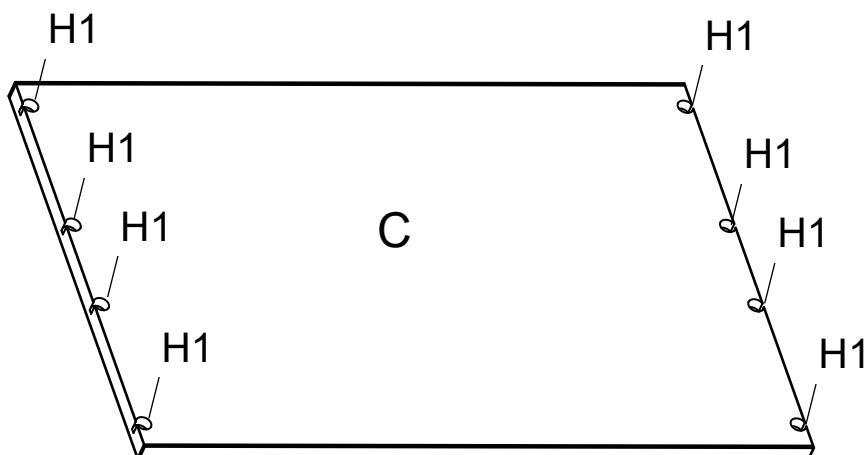
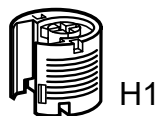
#1

Install four Rafix Shelf Cams (H5) into each adjustable shelf. Attach a Book Stop (H2) to each Fixed/Adjustable Shelf (E) using five Panhead Screws (H3) in the pre-drilled holes.



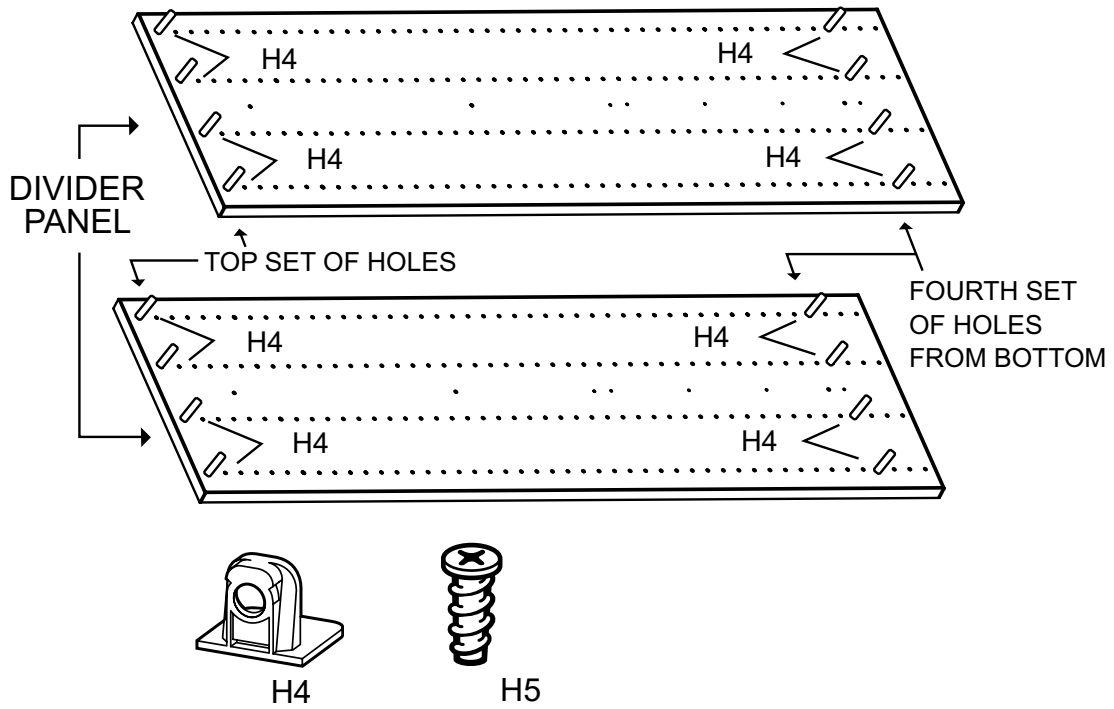
#2

Install eight Plastic Housings (H1) into the Top Panel (C) as shown.



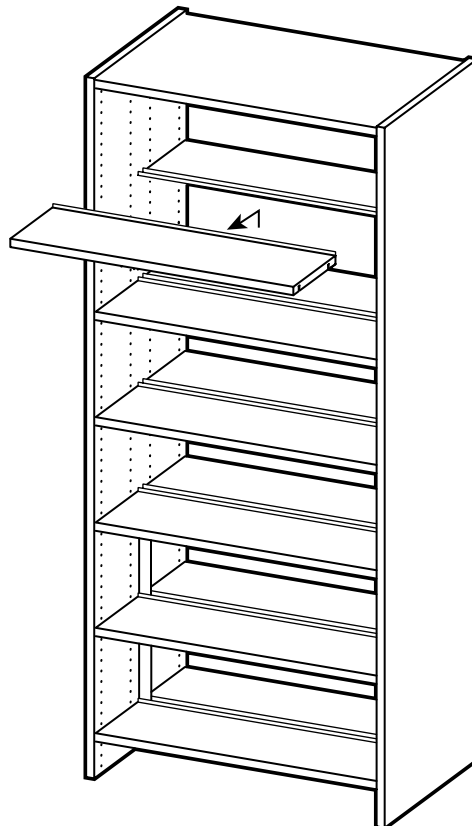
#3

Install Metal Flanges (H4) using Varianta Screws (H5) in each side of the Divider Panel (J) into the selected pre-drilled holes as indicated.



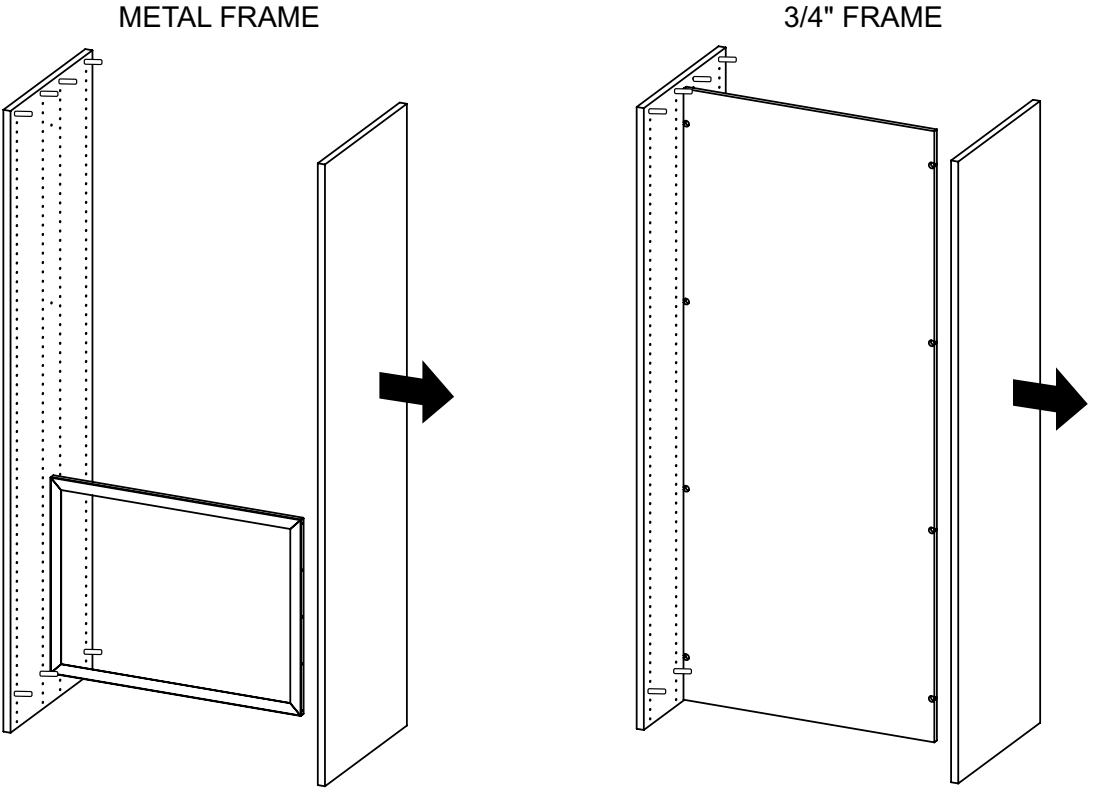
#4

For previously assembled bases, it will be necessary to remove all the Shelves, and the Top.



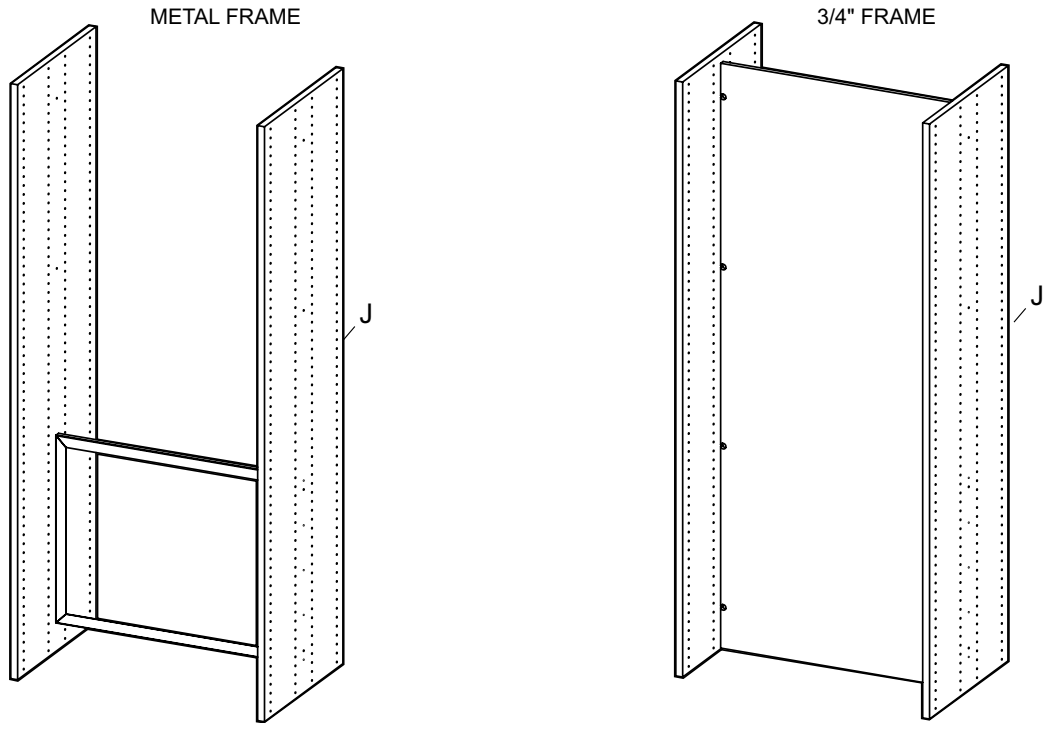
#5

With the assistance of another person, remove one side Panel.



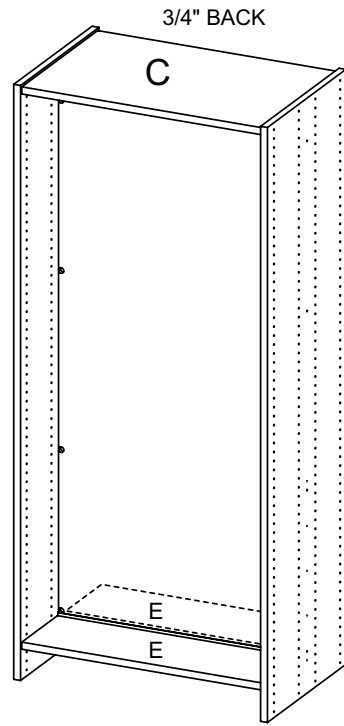
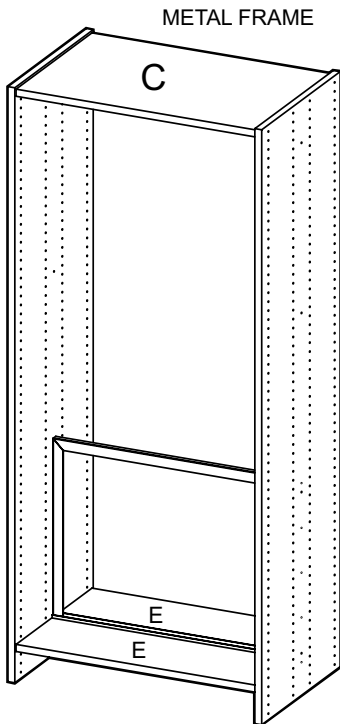
#6

Attach the divider Panel (J).



#7

Attach the Top Panel (C) and the two Fixed Shelves (E) using the Tab-V System. Turn the Tab-V Cams 1/2 turn to tighten.

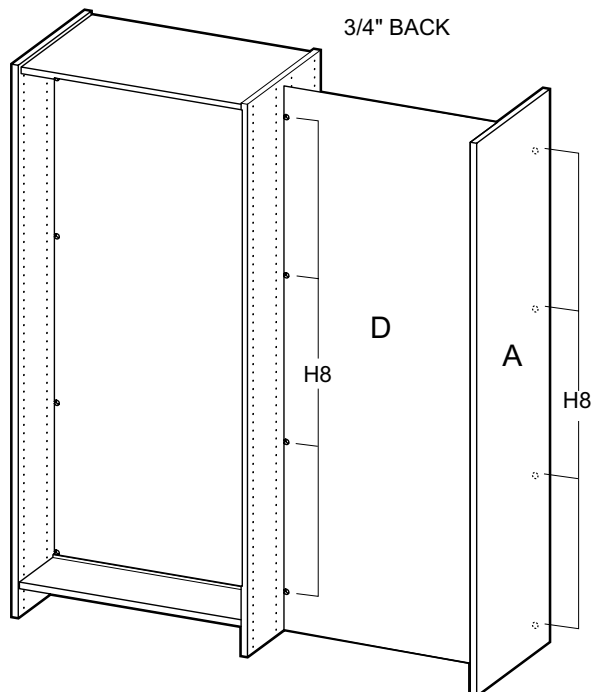
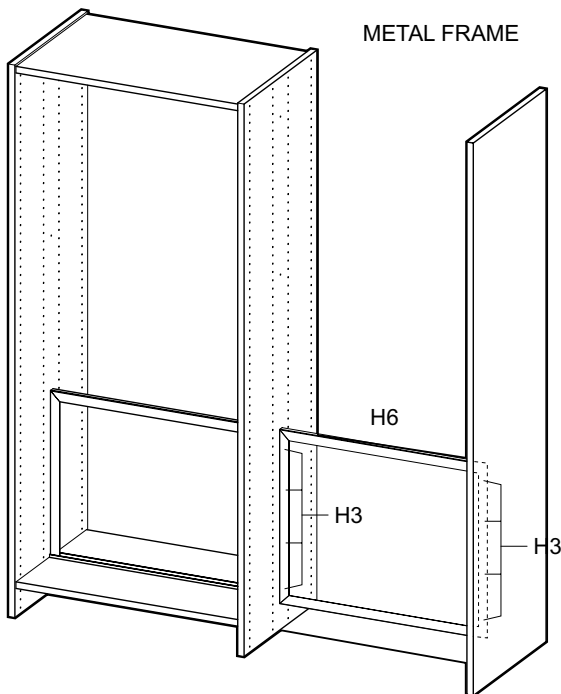


#8

For a **Metal Frame:**
Attach a Metal Frame (H6) and the Side Panel (A) using ten #8 x 5/8" screws (H3).



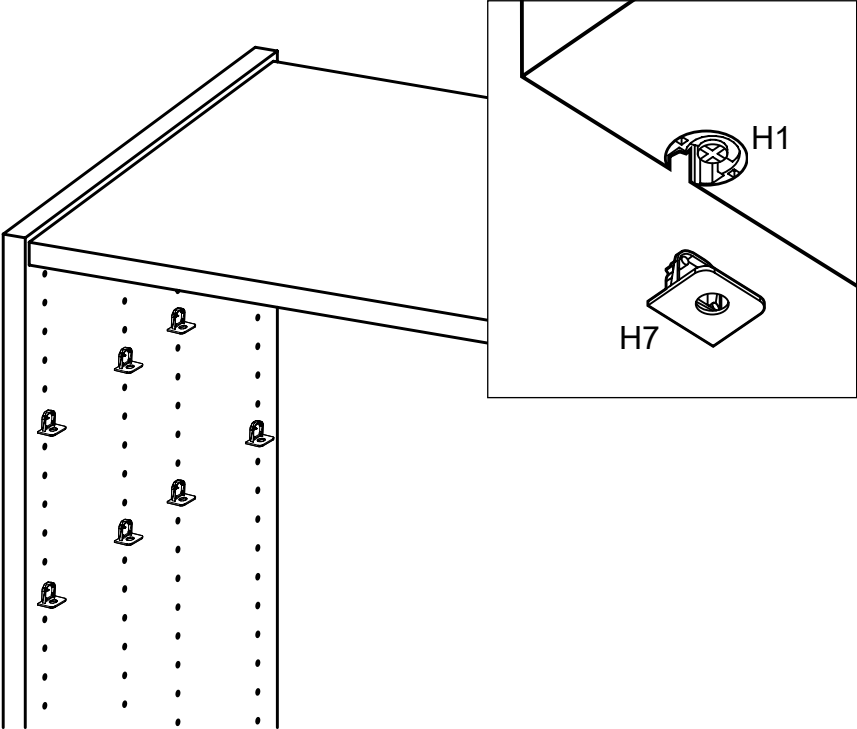
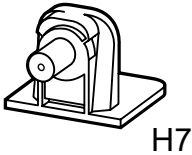
For a **3/4" Back:**
Attach a Back Panel (D) and the Side Panel (A) using the Rafix System as shown in the instructions for the Back Panel.



#10

Insert Metal Shelf Pins (H7) into both Sides at the preferred heights.

Place the Adjustable Shelves (E) into each side of the unit and lock the Tab-V Cams to secure.



#11

Your Glacier Library Shelving unit is now assembled and ready for use.

