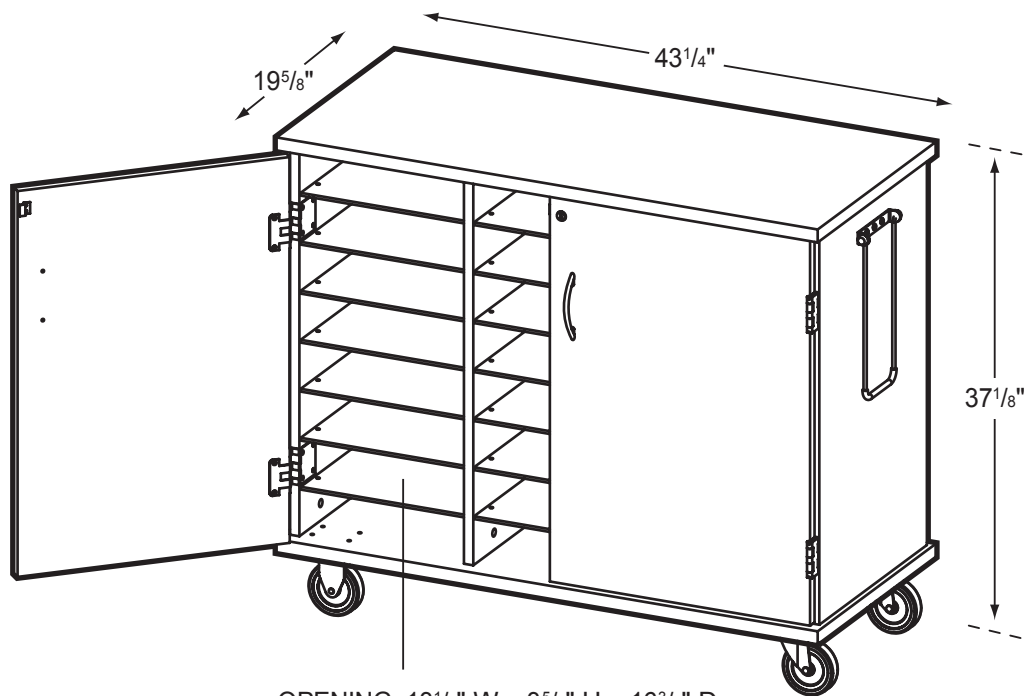


LSC

Laptop Storage Cart



OPENING: 13¹/₈" W x 3⁵/₈" H x 16³/₄" D

Product Specs

- 1" thermal fused laminate top and bottom
- 3/4" thermal fused laminate sides, back, partitions and doors
- Cam and post construction
- Matched edge banding
- 1/4" fixed storage shelves
- Flip-up cart handle
- Locking doors with 270 deg. hinge
- 4" plate casters (2 locking)