

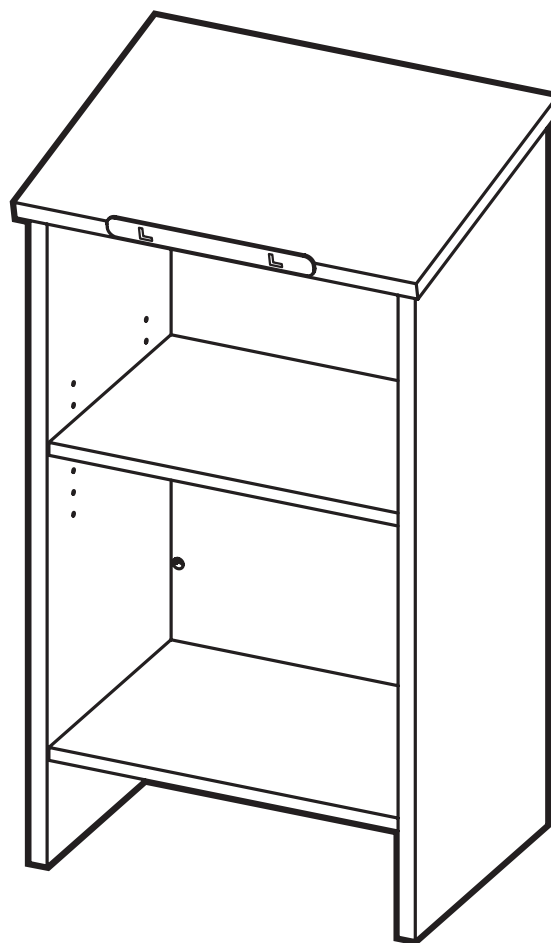


BY  **IRONWOOD**

LIBRARY FURNITURE

LFDS

DICTIONARY STAND LECTERN



IMPORTANT!

Assembly may require the assistance of another person.

Before you begin assembly:

READ THE DIRECTIONS all the way through one time. This will speed up the process and help you understand the sequence of steps.

COUNT THE PARTS AND HARDWARE before assembly. This ensures you have received all necessary parts before you begin.

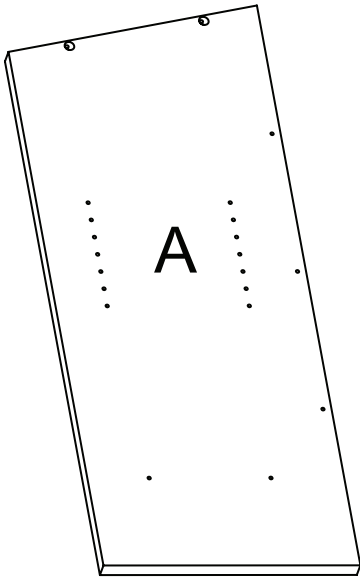
TOOLS: You may need a Phillips head screwdriver, a medium slotted screwdriver or a plastic mallet. To protect your new furniture from damage during assembly, it is recommended to work on a carpeted surface.

In the event any parts are missing from this package, send your name, address, telephone number, and a description of the missing part(s) to: **PARTS, Box 1420, Missoula, MT 59806** or call: **1-800-769-5693** or **FAX 1-800-445-5281**.

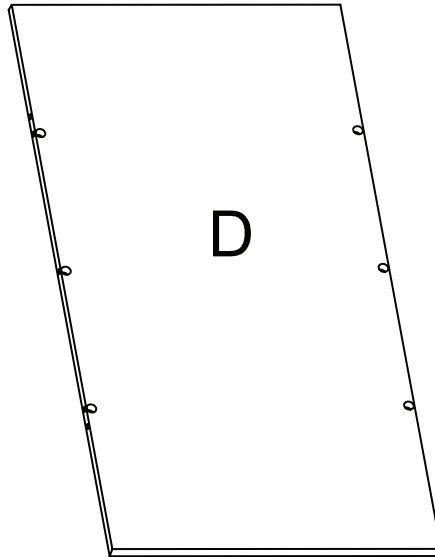
CAUTION: On assemblies requiring glue, make sure the unit is assembled correctly before gluing. Once this unit is assembled with glue, the manufacturer will not be responsible for damaged parts. Keep a damp cloth or sponge handy to wipe off excess glue.

To care for this furniture, simply wipe with a cloth dampened with glass cleaner containing ammonia-D.

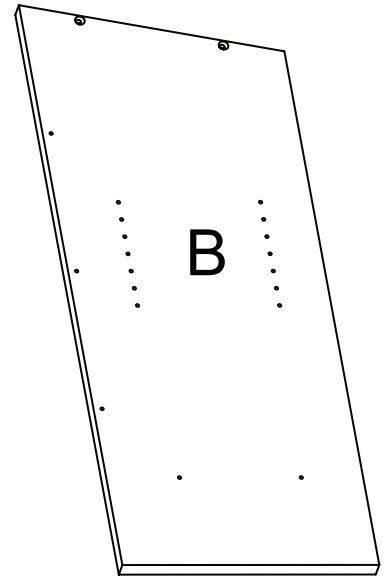
PARTS DIAGRAM



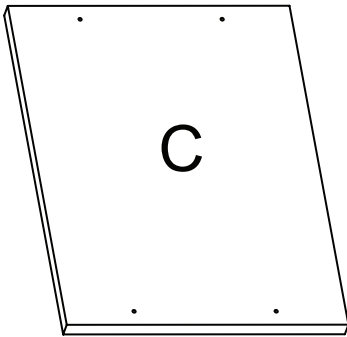
Left Panel 32"	01040241	1 ea.
Left Panel 39"	01040141	1 ea.



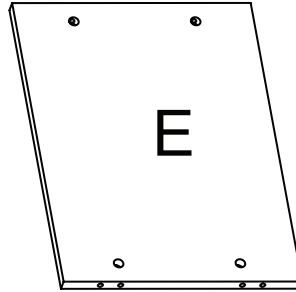
Back 32"	01040252	1 ea.
Back 39"	01040152	1 ea.



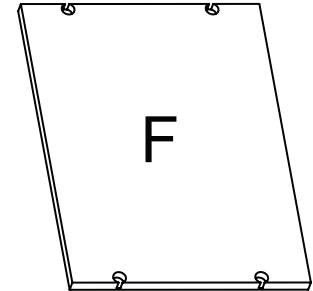
Right Panel 32"	01040241	1 ea.
Right Panel 39"	01040141	1 ea.



Top	01040101	1 ea.
-----	----------	-------



Bottom Shelf	01040111	1 ea.
--------------	----------	-------



Adjustable Shelf	01040127	1 ea.
------------------	----------	-------



H1	Paper Stop	46931	1 ea.
----	------------	-------	-------



H2	Panhead Screw	901220	2 ea.
----	---------------	--------	-------



H5	Flush Rafx Cam	909911	10 ea.
----	----------------	--------	--------



H7	Rafx Bolt	909925	18 ea.
----	-----------	--------	--------



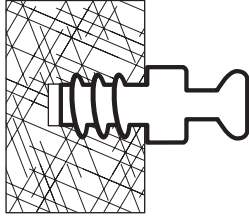
H6	Rafx Cam	909909	8 ea.
----	----------	--------	-------

Using the Rafx System:

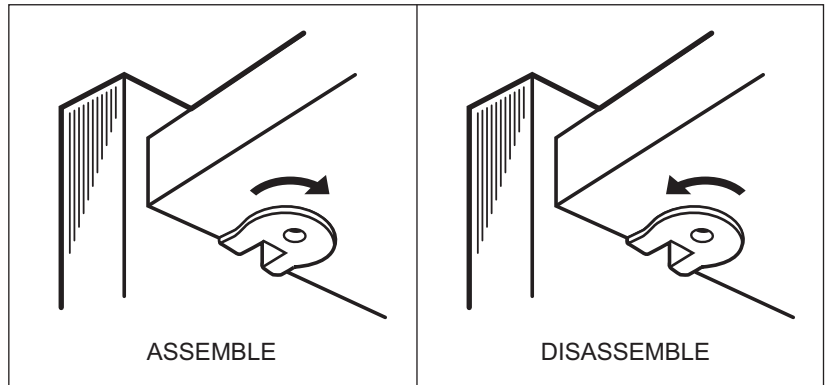
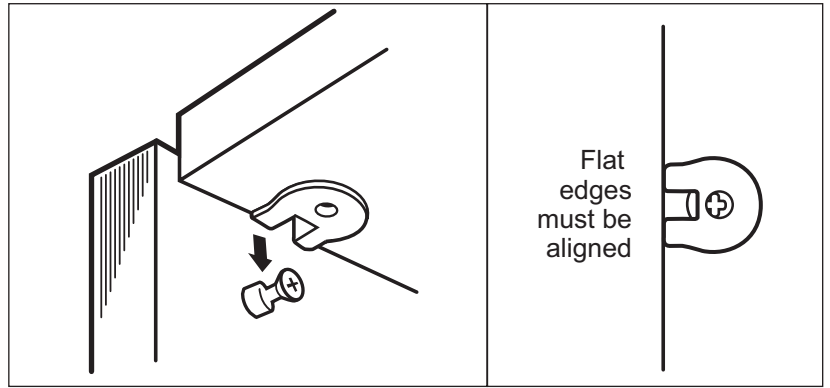
Insert the Rafx Cams into the appropriate holes. The flat edge of the cam should be facing the edge of the panel.

Slide Rafx Cams of the panel to be attached onto the corresponding posts.

When screwing post into hole, **Do Not** over tighten. Screw post down until bottom face of post flange just touches board surface.

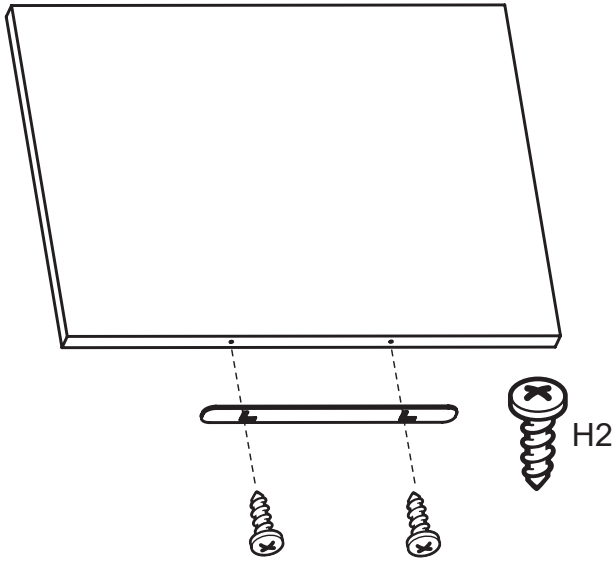


Using a #3 Phillips screwdriver, turn the rotating portion of the Rafx Cam a 1/2 turn clockwise to secure. **IMPORTANT!** Do not exceed 1/2 turn when tightening cams. Turn 1/2 turn counterclockwise to disassemble and remove panel.



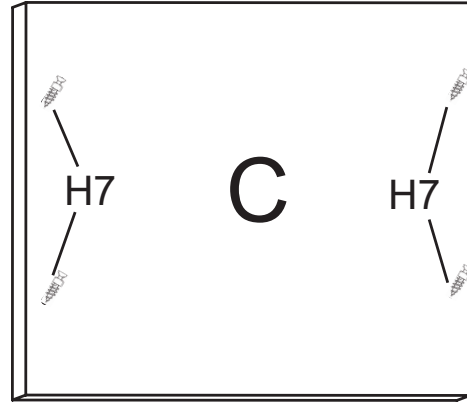
#1

Attach the Paper Stop (H1) to the upper surface of the Top Panel (C) using 1/2" Panhead Screws (H2) in the pre-drilled holes as shown.



#2

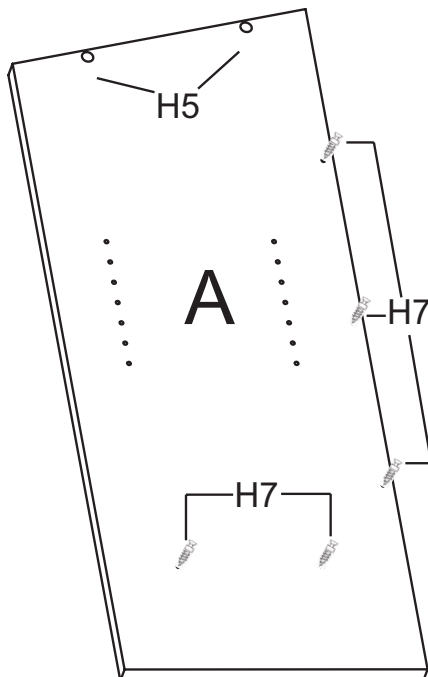
Turn the Top Panel (C) over. Screw four Rafix Bolts (H7) into the pre-drilled holes of the Top Panel (C) as indicated.



#3

Screw five Rafix Bolts (H7) into the Left Panel (A) where indicated.

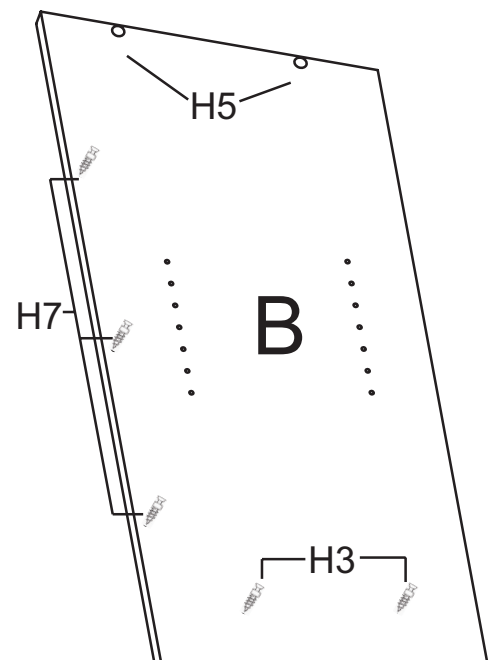
Insert two flush rafix Cams (H5) into the Left Panel (A) facing out.



#4

Screw Rafix Bolts (H7) into the Right Panel (B) where indicated.

Insert two Rafix Flush Cams (H5) into the Right Panel (B) facing out.

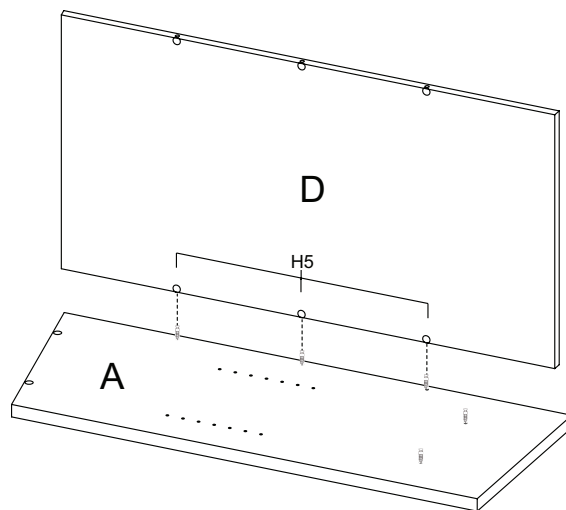
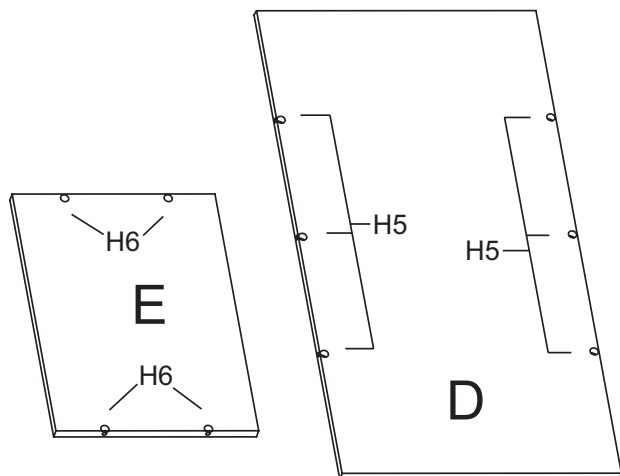


#5

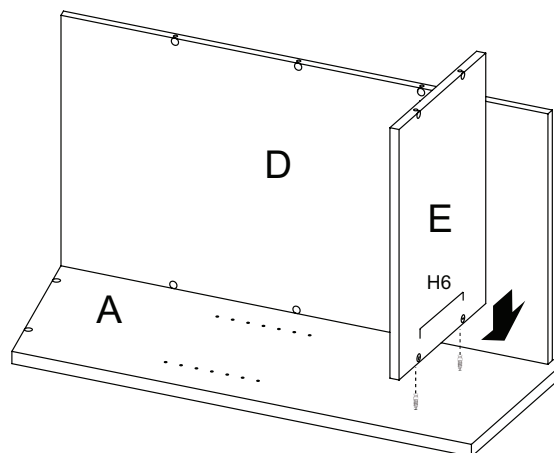
Insert six Rafix Flush Cams (H5) into the Back Panel (D) and Rafix Cams (H6) into the Bottom Shelf (E).

#6

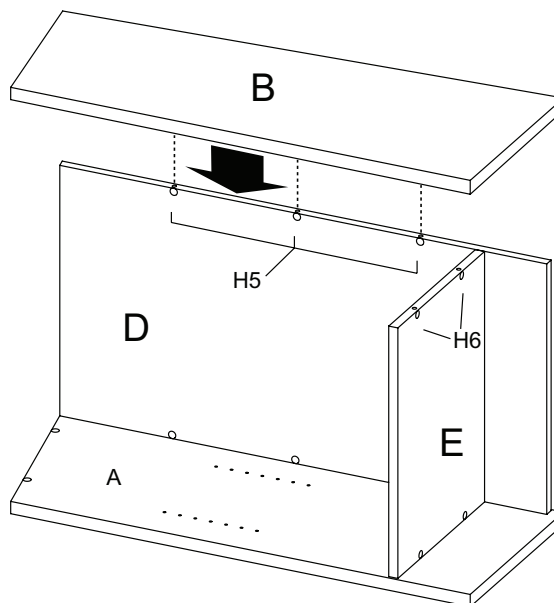
Position the Back Panel (D) onto the Left Panel (A) and turn cams to secure.

**#7**

Position the Bottom Shelf (E) onto the Left Panel (A) and turn cams to secure.

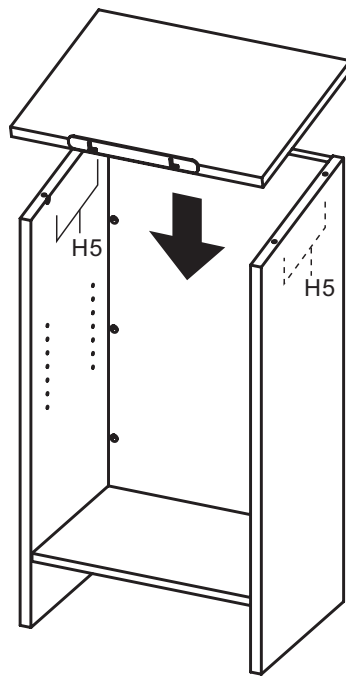
**#8**

Position the bolts of the Right Panel (B) onto the unit and turn cams to secure.



#9

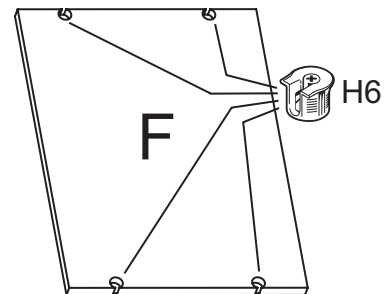
Turn the assembly upright. Position the Top Panel (C) onto the unit and turn the cams to secure.



#10

Insert four Rafix Cams (H6) into the Adjustable Shelf (F) facing outwards and tap until fully seated in place as shown.

IMPORTANT! The edge of the Rafix Cam must be aligned with the shelf edge. Rafix Cams are difficult to reposition if installed incorrectly.



#11

Placement of the Adjustable Shelf (F) is optional. Screw the Rafix Bolts (H7) into pre-drilled holes of each Side (A and B) at a selected height.

Your Glacier Lectern/Dictionary Stand is now fully assembled and ready for use.

