

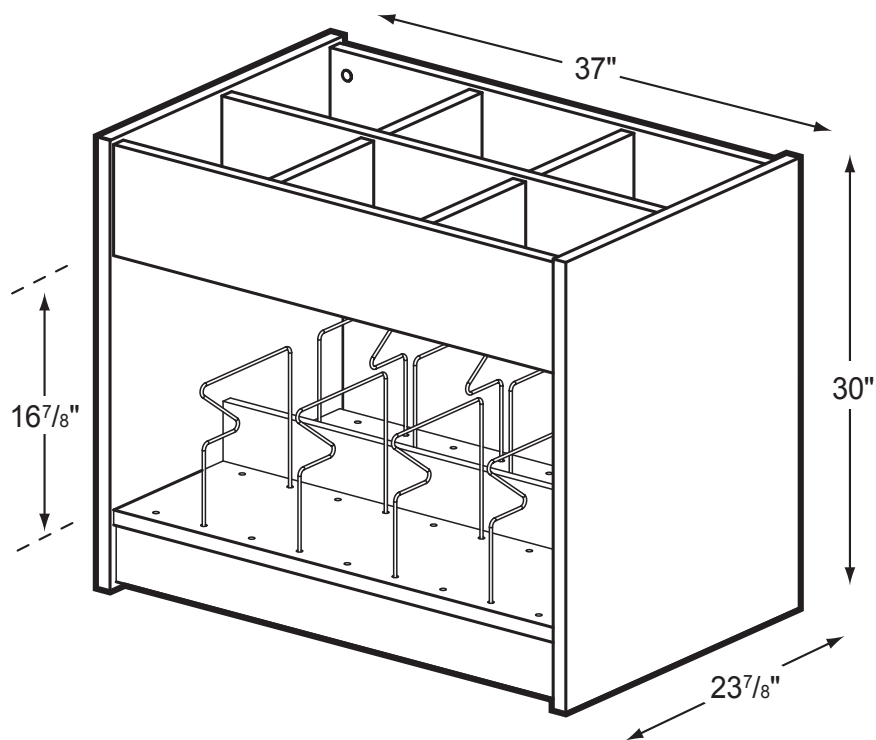


IRONWOOD
MANUFACTURING

GLACIER
LIBRARY FURNITURE

LFBB

Book Browser



Product Specs

- 3/4" thermal fused laminate
- Cam and post construction
- Matched edge banding
- Eight chrome 5mm book dividers
- Friction book supports for upper compartments

0208

Ironwood Manufacturing • P.O. Box 1420 • Missoula, Montana 59806
(406) 721-4747 • (800) 769-5693 • fax (406) 721-8424 • www.ironwoodmfg.com