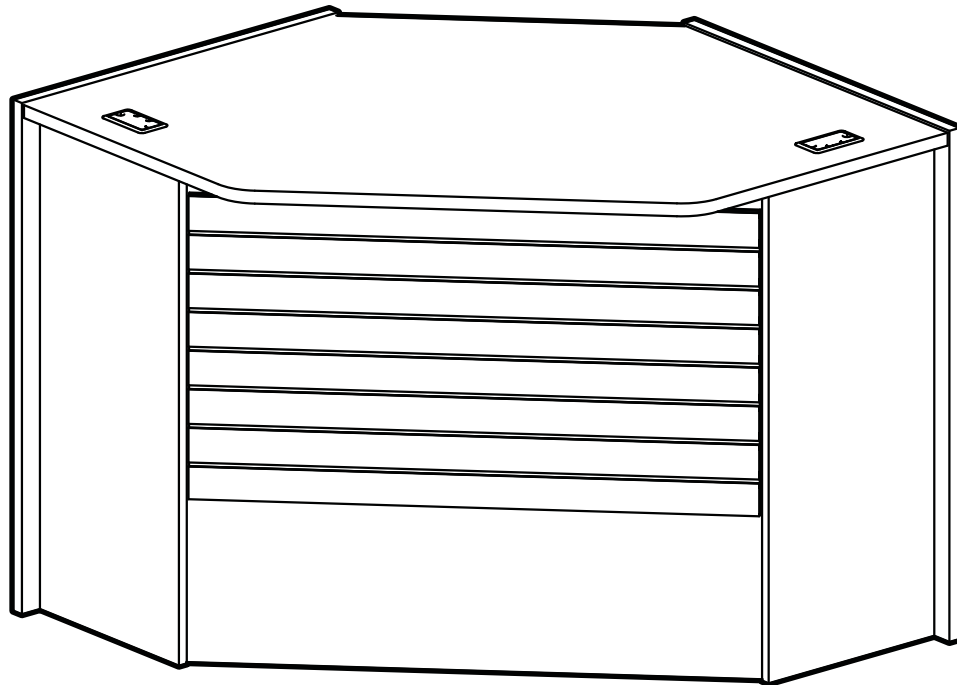




BY  **IRONWOOD**

CDSW

SLATWALL DISPLAY



IMPORTANT!

Assembly may require the assistance of another person.

Before you begin assembly:

READ THE DIRECTIONS all the way through one time. This will speed up the process and help you understand the sequence of steps.

COUNT THE PARTS AND HARDWARE before assembly. This ensures you have received all necessary parts before you begin.

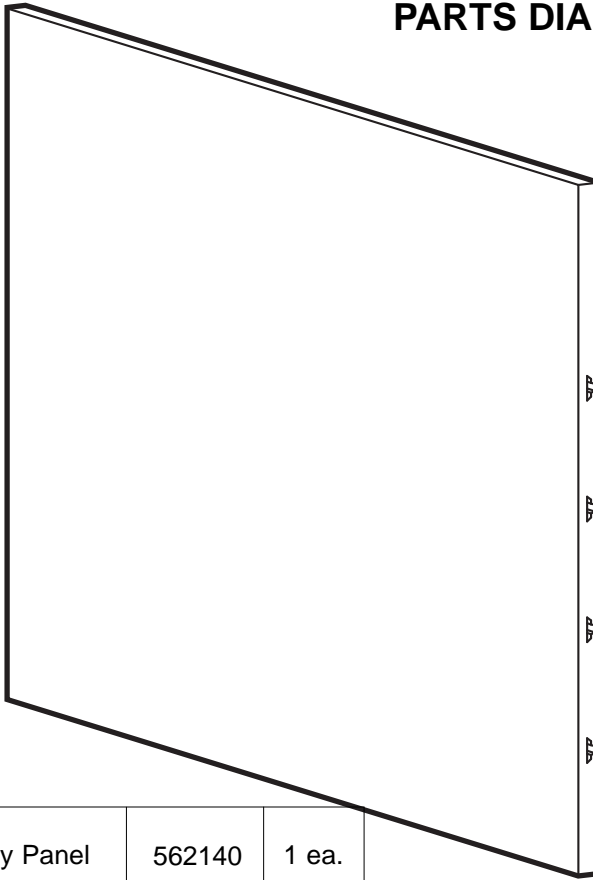
TOOLS: You may need a Phillips head screwdriver, a medium slotted screwdriver or a plastic mallet. To protect your new furniture from damage during assembly, it is recommended to work on a carpeted surface.

In the event any parts are missing from this package, send your name, address, telephone number, and a description of the missing part(s) to: **PARTS, Box 1420, Missoula, MT 59806** or call: **1-800-769-5693** or FAX **1-800-445-5281**.

CAUTION: On assemblies requiring glue, make sure the unit is assembled correctly before gluing. Once this unit is assembled with glue, the manufacturer will not be responsible for damaged parts. Keep a damp cloth or sponge handy to wipe off excess glue.

To care for this furniture, simply wipe with a cloth dampened with glass cleaner containing ammonia-D.

PARTS DIAGRAM



Quad Panhead Screw	901212	6 ea.
-----------------------	--------	-------

slatwall Display Panel	562140	1 ea.
------------------------	--------	-------

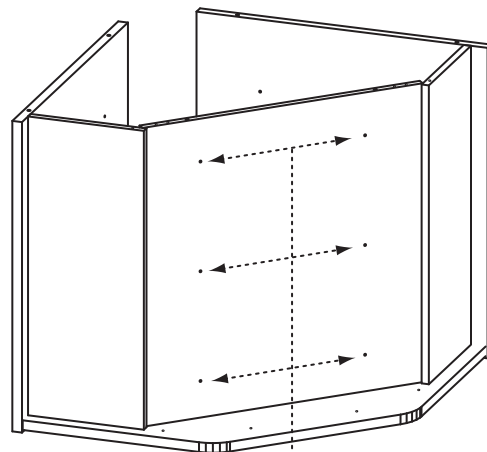
NOTE:

It is not necessary to disassemble the Corner Unit to attach the Slatwall.

#1

With the assistance of other persons, turn the Corner Unit onto its top on a clean, carpeted surface of foam padding.

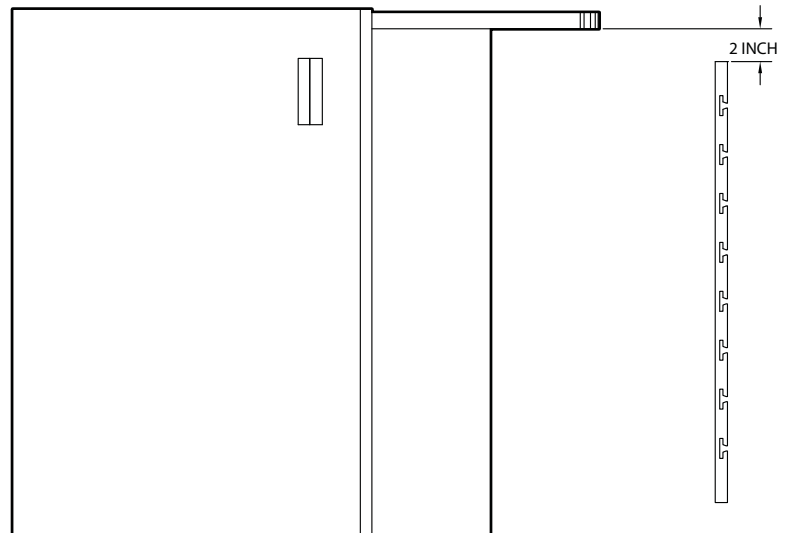
Using an electric drill with a 3/16" bit, drill through the six pilot holes on the inside of the front panel of the Corner Unit.



PILOT HOLES ON THE INSIDE OF THE PANEL

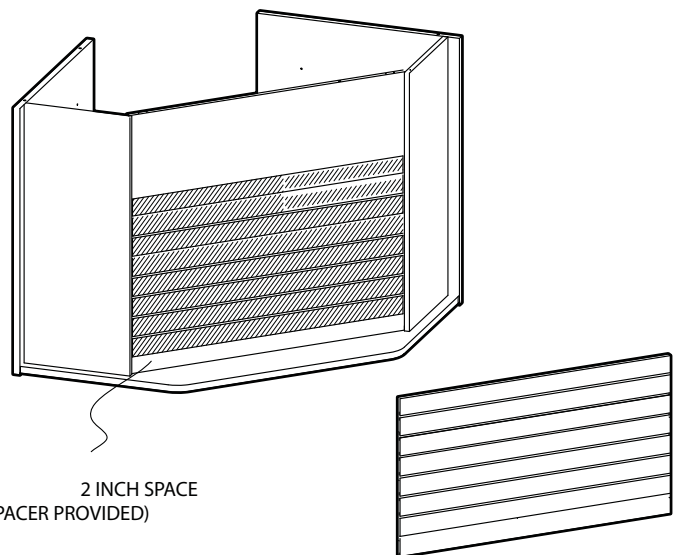
#2

With the help of an assistant, align Slatwall Panel with the front panel of the Corner Unit.



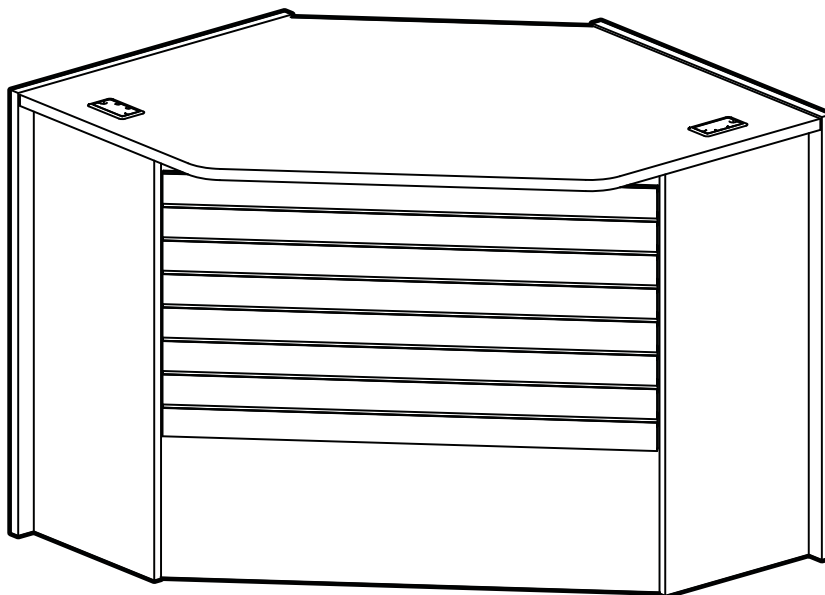
#3

Insert six Panhead Screws through the front panel of the Corner Unit into the Slatwall Panel. Tighten the Screws to secure the Slatwall Panel in place. Use 2" spacer provided.



#4

With the assistance of other persons, turn the unit upright.



Your Glacier-Ironwood Slatwall Display is now fully installed and ready for use.