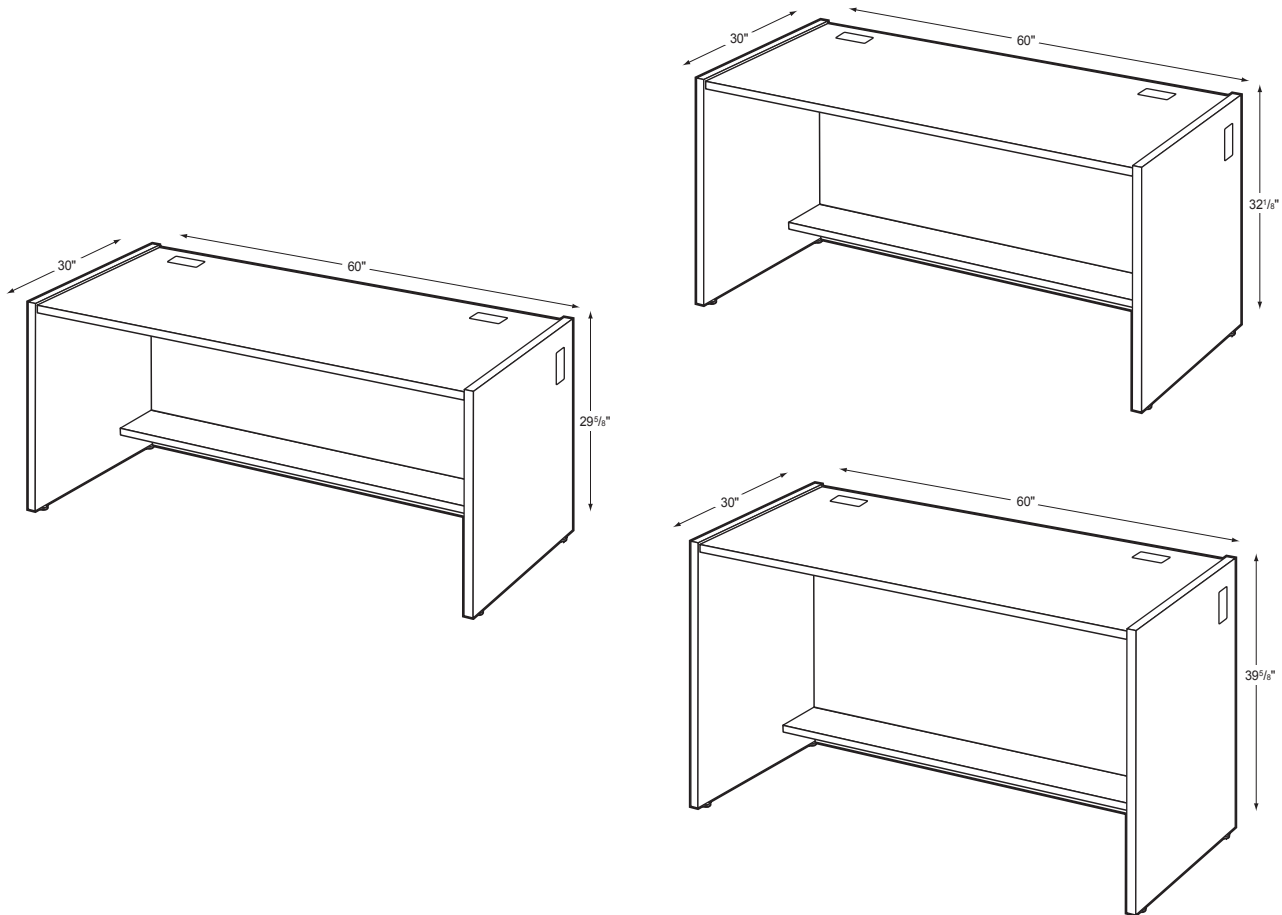


CD6029-32-39

Circulation Desk Shells



Product Specs

- 1" thermal fused laminate sides and top
- 3/4" thermal fused laminate modesty, shelf and kick
- Cam and post construction
- Matched edge banding
- Fixed storage shelf
- Four - 2"x 4" grommets with covers
- Wire management tray
- Adjustable leveling glides