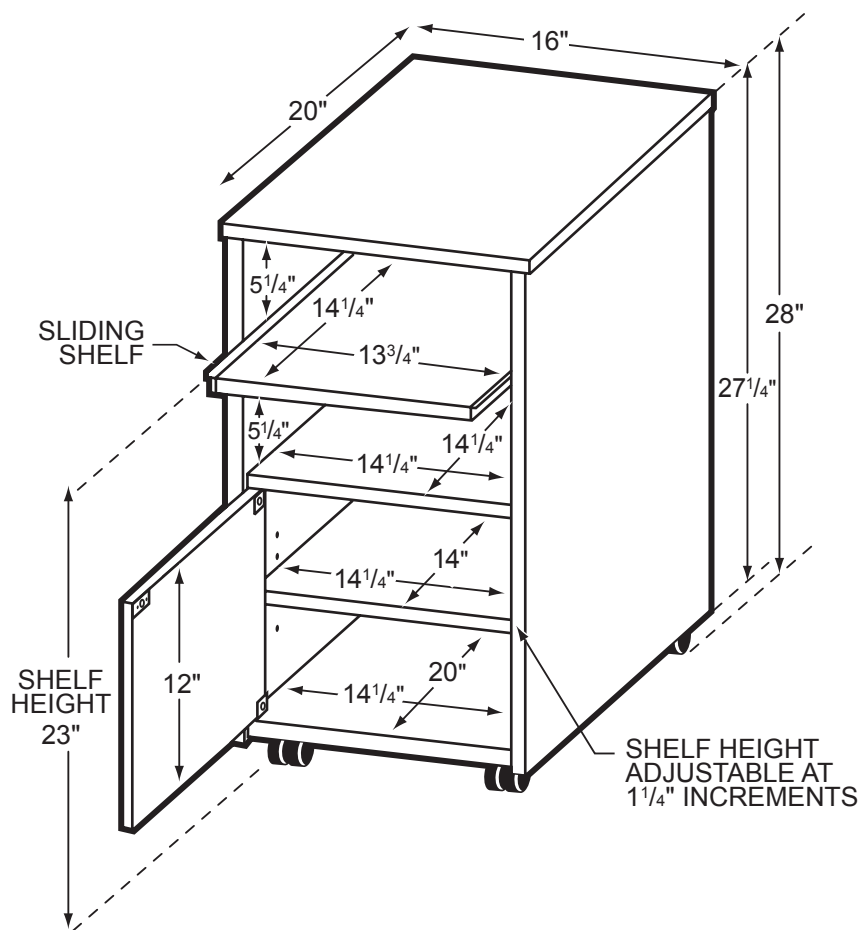


FXS

Fax Stand



Product Specs

- 3/4" thermal fused laminate
- Cam and post construction
- Matched edge banding
- Pull out shelf on 2/3 extension steel slide
- Lower closed storage area w/ adj. shelf
- 2" plate casters (2 locking)