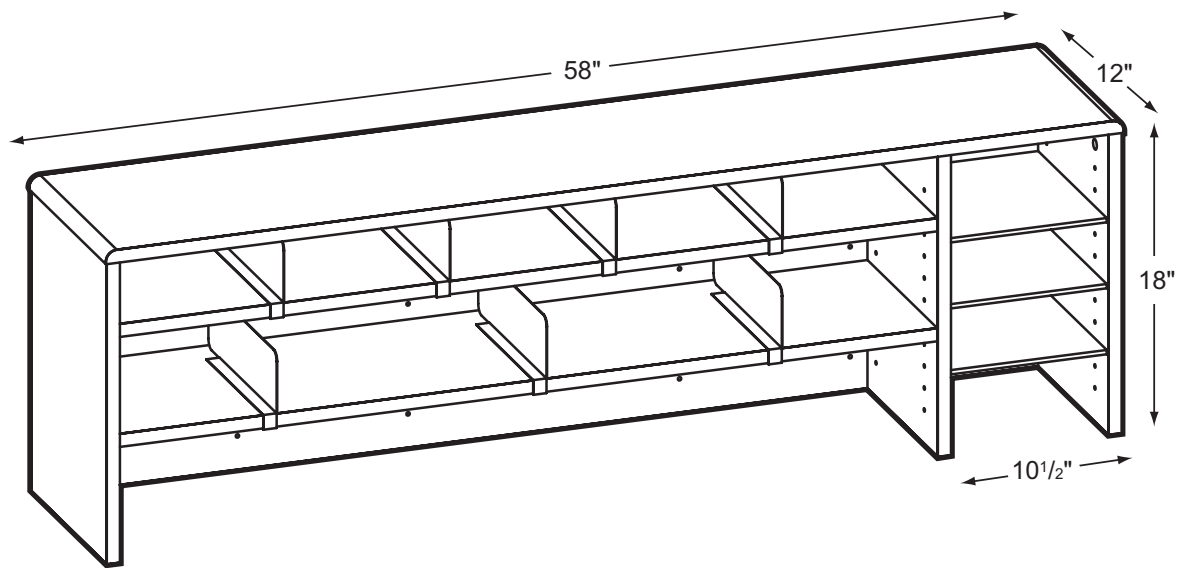


DTO-HC

Desk Top Organizer High Capacity



Product Specs

- 3/4" thermal fused laminate
- Cam and post construction
- Matched edge banding
- 1/4" hardboard folio shelf w/ label holder
- Shelves adjust on 1-1/4" increments
- 18ga. Moveable shelf dividers
- Finished back