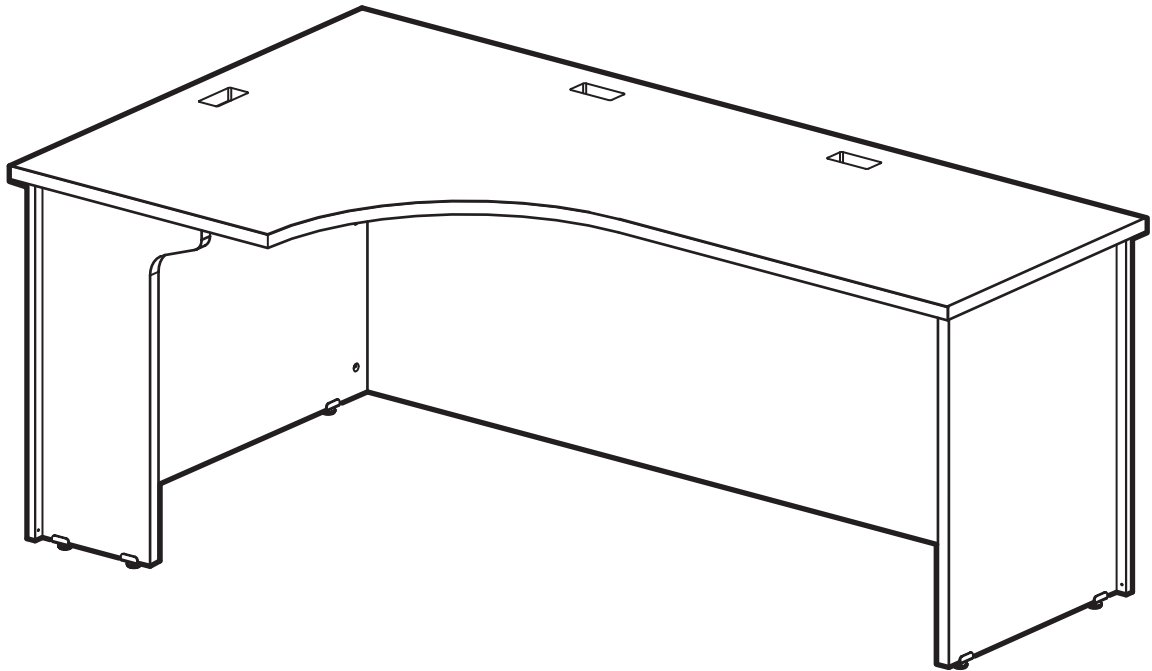




# MEC 72R

## MODULAR EXTENDED CORNER



### IMPORTANT!

Assembly may require the assistance of another person.

Before you begin assembly:

**READ THE DIRECTIONS** all the way through one time. This will speed up the process and help you understand the sequence of steps.

**COUNT THE PARTS AND HARDWARE** before assembly. This ensures you have received all necessary parts before you begin.

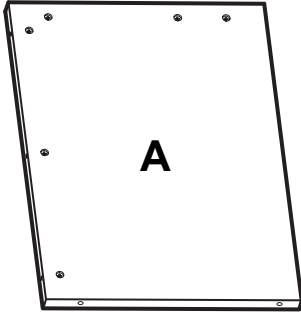
**TOOLS:** You may need a Phillips head screwdriver, a medium slotted screwdriver or a plastic mallet. To protect your new furniture from damage during assembly, it is recommended to work on a carpeted surface.

In the event any parts are missing from this package, send your name, address, telephone number, and a description of the missing part(s) to: PARTS, Box 1420, Missoula, MT 59806 or call: 1-800-769-5693 or FAX 1-800-445-5281.

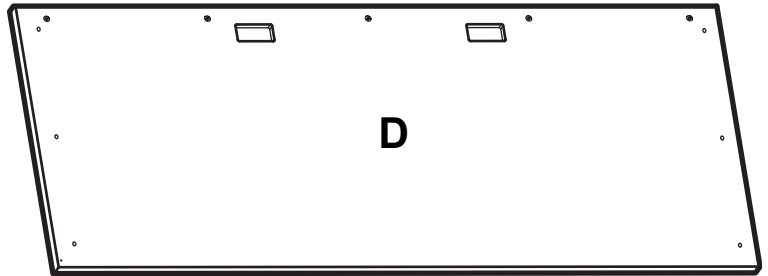
**CAUTION:** On assemblies requiring glue, make sure the unit is assembled correctly before gluing. Once this unit is assembled with glue, the manufacturer will not be responsible for damaged parts. Keep a damp cloth or sponge handy to wipe off excess glue.

To care for this furniture, simply wipe with a cloth dampened with glass cleaner containing ammonia-D.

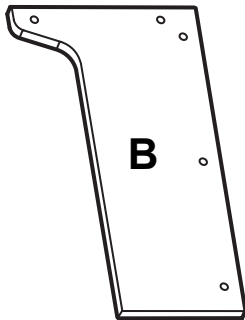
# PARTS DIAGRAM



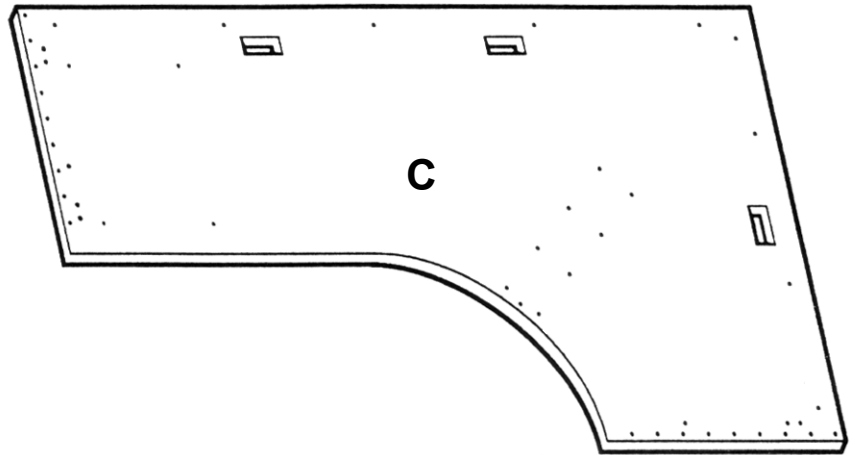
Right Side Panel	02320141	1 ea.
------------------	----------	-------



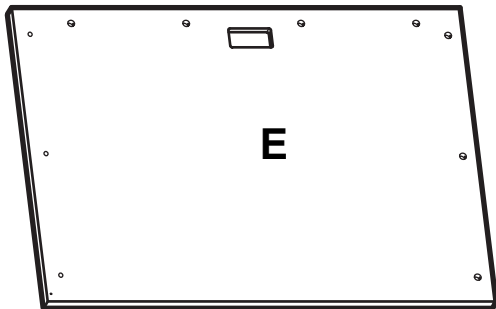
Long Back Panel	02320455	1 ea.
-----------------	----------	-------



Left End Panel	02320241	1 ea.
----------------	----------	-------



Top Panel	02320401	1 ea.
-----------	----------	-------



Short Back Panel	02320254	1 ea.
------------------	----------	-------



H5	Small Leveler Bracket	402303	2 ea.
----	-----------------------	--------	-------



H2	Wood Dowel	195000	3 ea.
----	------------	--------	-------



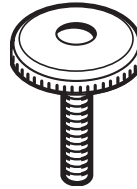
H1	Minifix Bolt	909834	23 ea.
----	--------------	--------	--------



H4	Leveler Insert	274650	6 ea.
----	----------------	--------	-------



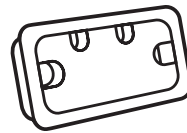
H3	Minifix Cam	909810	23 ea.
----	-------------	--------	--------



H6	Leveler	300870	6 ea.
----	---------	--------	-------



H7	Large Leveler Bracket	402302	4 ea.
----	-----------------------	--------	-------

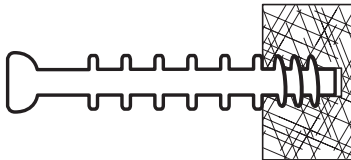


H6	Grommet	286580	6 ea.
----	---------	--------	-------

### Using the Minifix System:

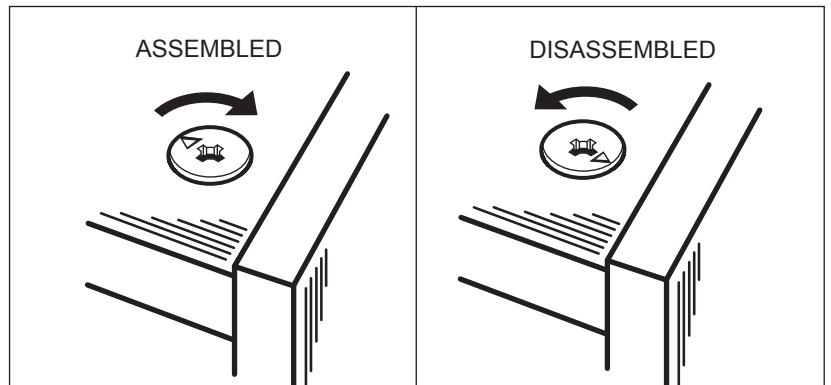
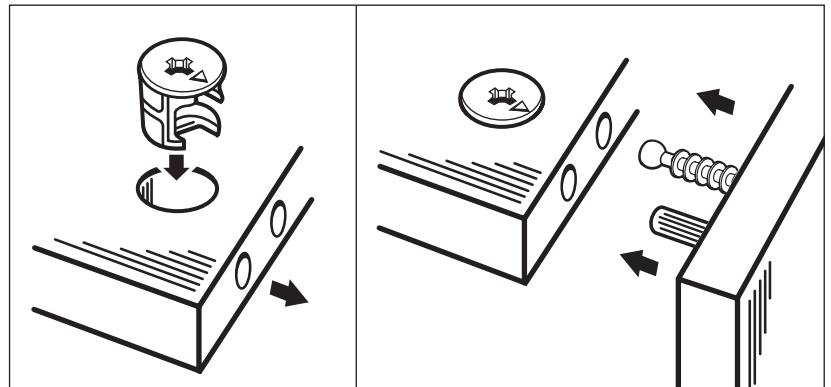
Insert the Minifix Cams into the appropriate holes with the arrow facing outwards as shown.

When screwing post into hole, **Do Not** over tighten. Screw post down until bottom face of post flange just touches board surface.



Using the #2 Phillips screwdriver, rotate the Cam Devices a half turn clockwise until snug.

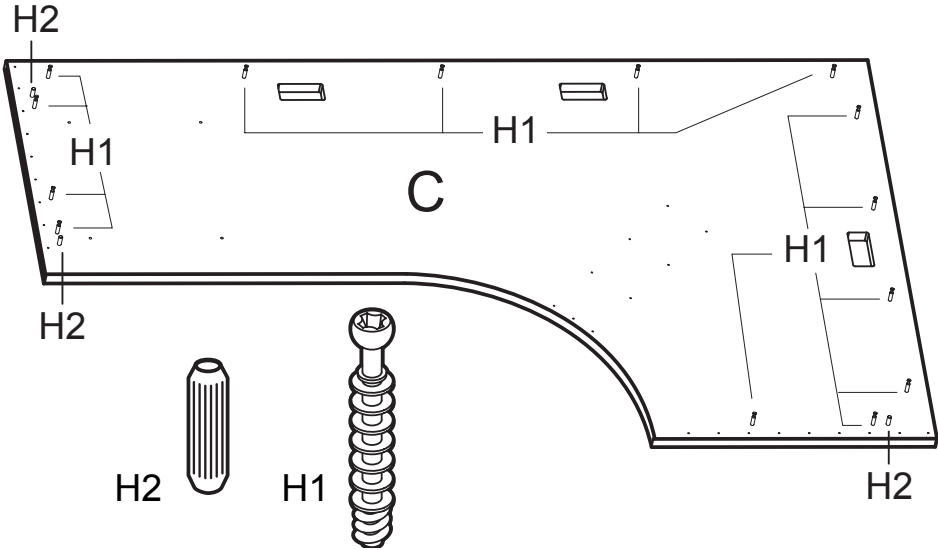
To disassemble, turn the Cam Devices counter-clockwise and remove panels.



# #1

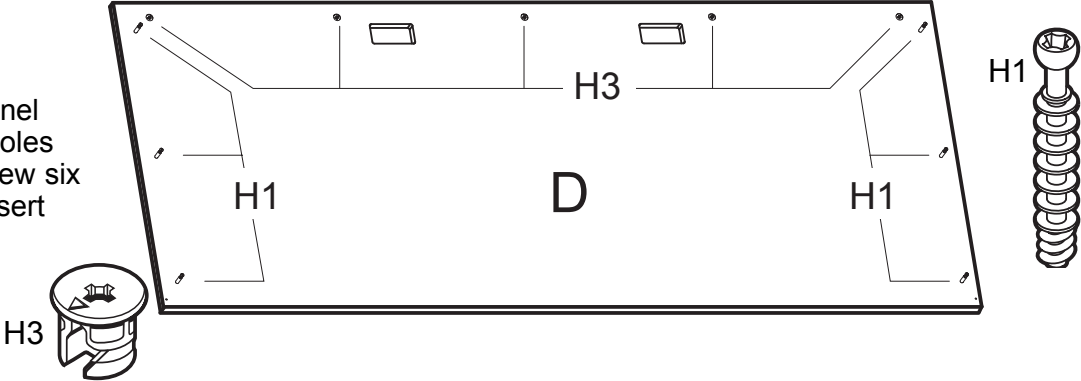
Place the Top Panel (C) on a clean, carpeted surface or foam padding with the pre-drilled holes facing up. Screw Minifix Bolts (H1) into the Top Panel where indicated.

Insert three Wood Dowels (H2) into the Top Panel where indicated.



# #2

Place the Long Back Panel (D) with the pre-drilled holes facing up as shown. Screw six Minifix Bolts (H1) and insert Minifix Cams (H3) into the Long Back Panel where indicated.



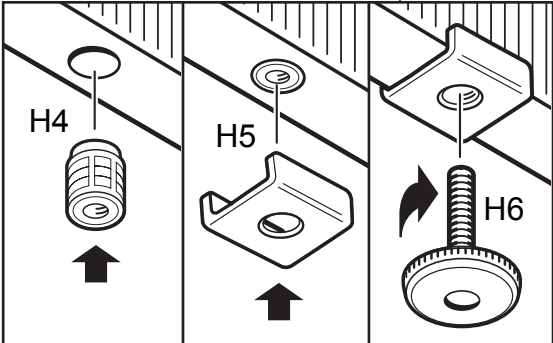
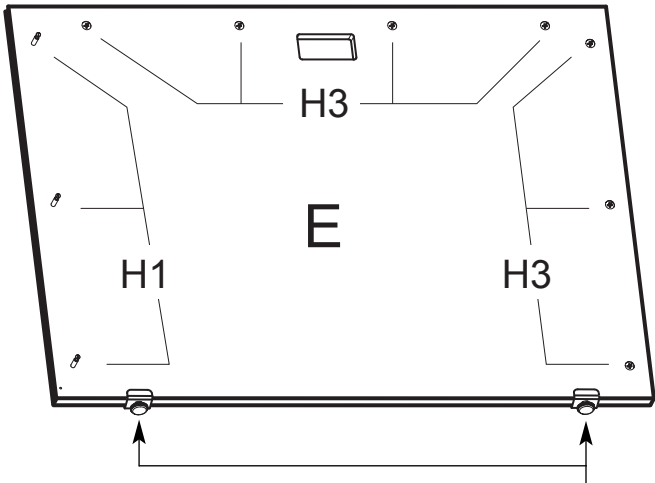
# #3

Insert seven Minifix Cams (H3) into the Short Back Panel (E) with the arrows of the cams facing out. Screw three Minifix Bolts (H1) into the panel where indicated.

Insert the Leveler Inserts (H4) into the bottom edge of the Short Back, using a plastic mallet, tap until flush with the surface.

Press Small Leveler Bracket (H5) over each Leveler Insert.

Screw the Levelers (H6) into the Leveler Inserts. **Adjust Levelers when the assembled unit is in place.**

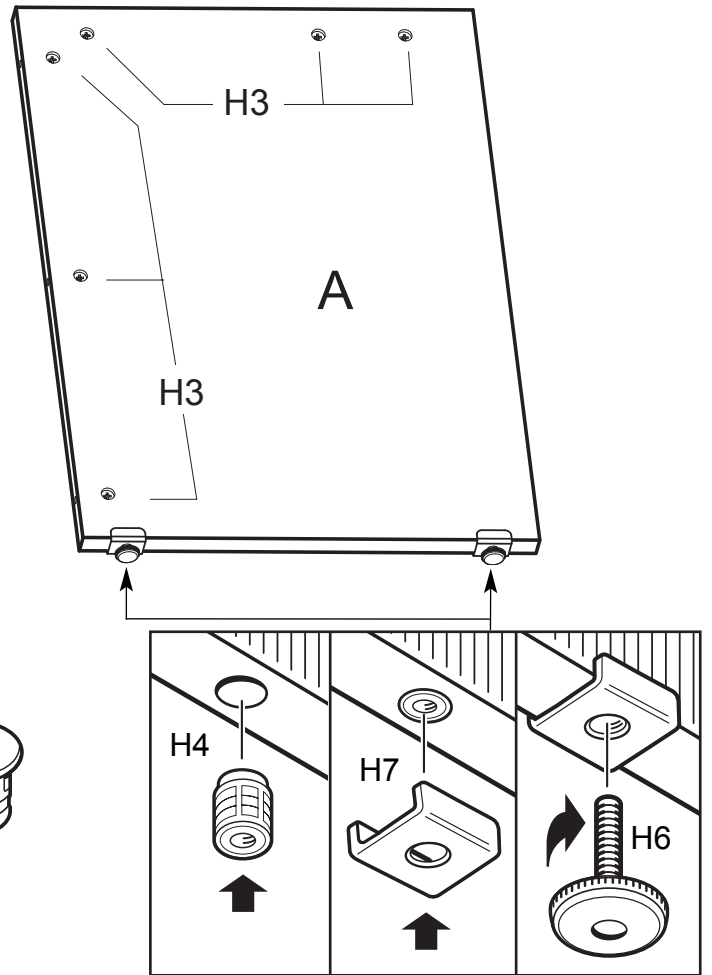


## #4

Insert six Minifix Cams (H3) into the Leftside Panel (A) with the arrows of the cams facing out.

Insert the Leveler Inserts (H4) into the holes in the bottom edge of the Leftside Panel and using a plastic mallet, tap until flush with the surface. Press a Large Leveler Bracket (H7) over each Leveler Insert.

Screw the Levelers (H6) into the Leveler Inserts.  
**Adjust Levelers when the assembled unit is in place.**

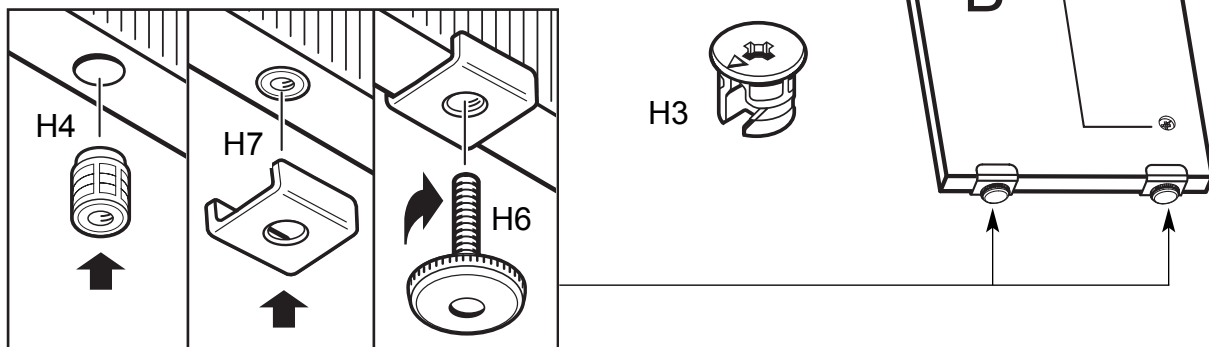


## #5

Insert five Minifix Cams into the Right End Panel (B) with the arrows of the cams facing out.

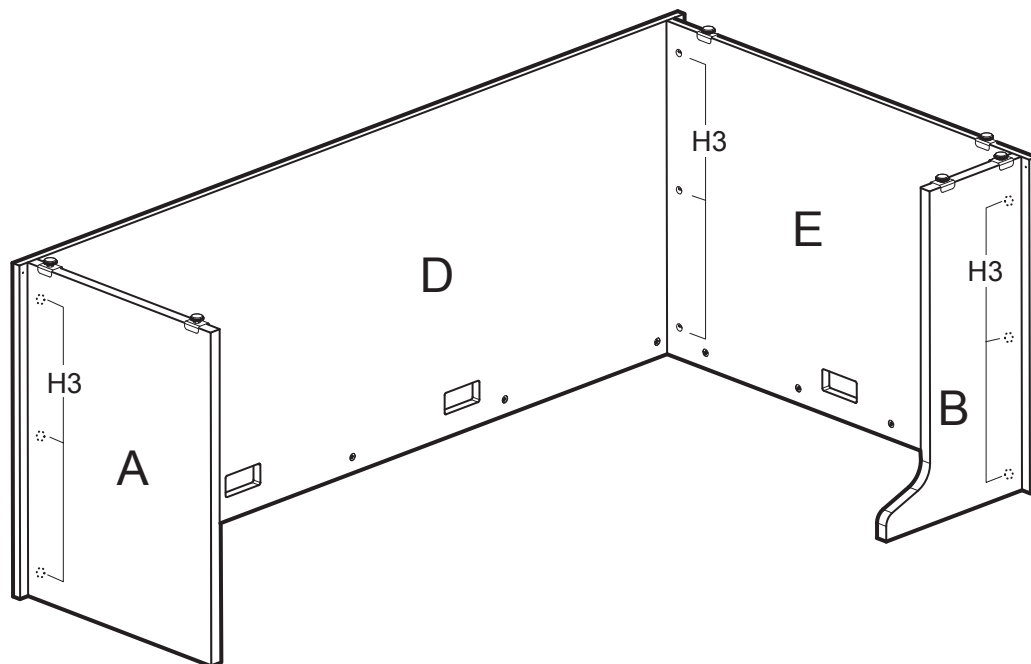
Insert the Leveler Inserts (H4) into the holes in the bottom edge of the Right End Panel and using a plastic mallet, tap until flush with the surface. Press a Large Leveler Bracket (H7) over each Leveler Insert (I).

Screw the Levelers (H6) into the Leveler Inserts.  
**Adjust Levelers when the assembled unit is in place.**



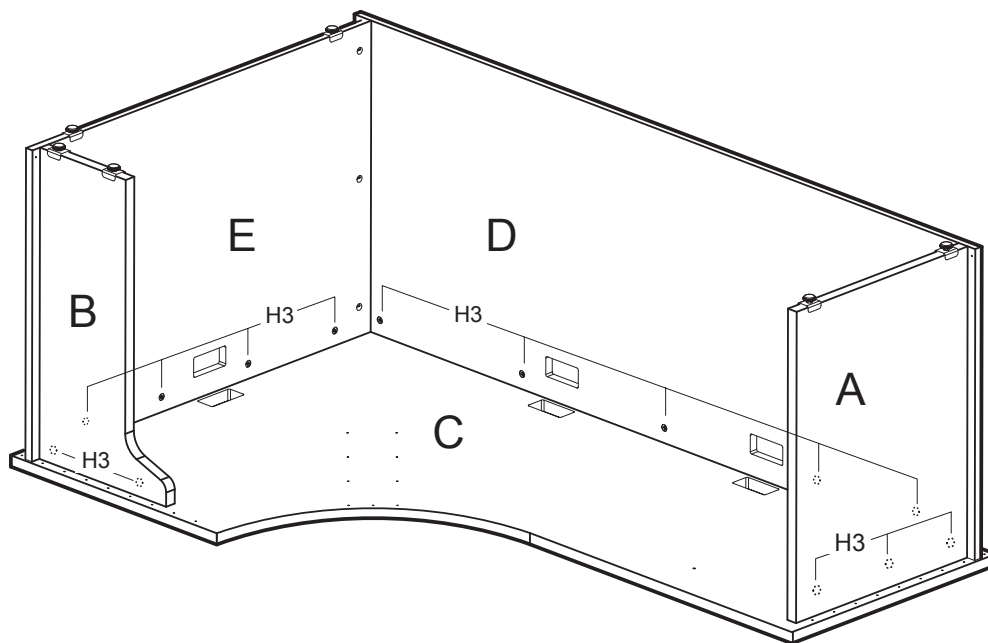
## #6

Attach backs and sides as shown. Turn the Minifix Cams (H3) clockwise to secure.



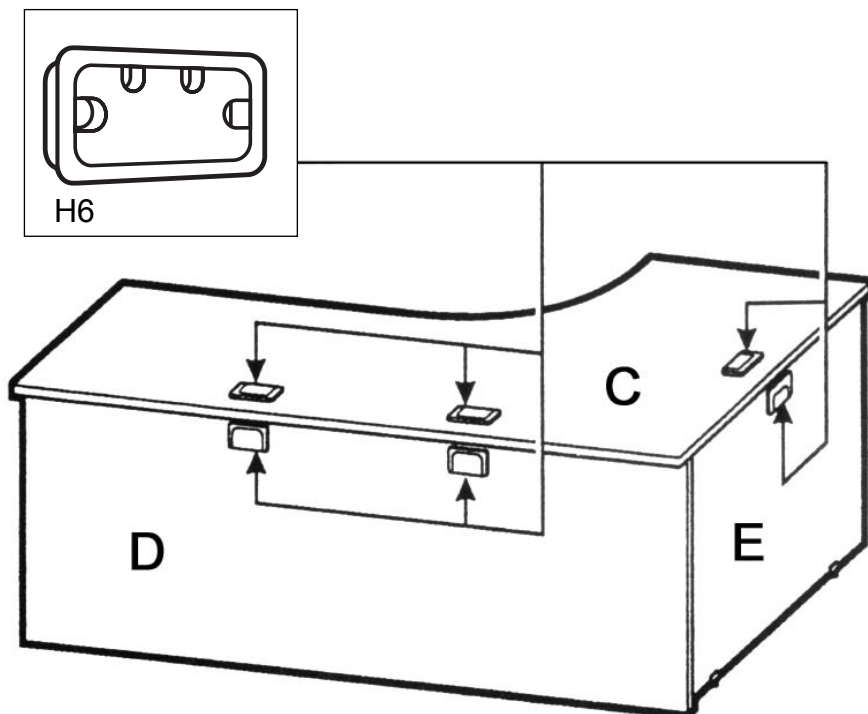
## #7

With the assistance of another person set the Backs/ Sides assembly onto the posts and dowels of the Top Panel (C). Turn the Cams (H3) clockwise to secure.

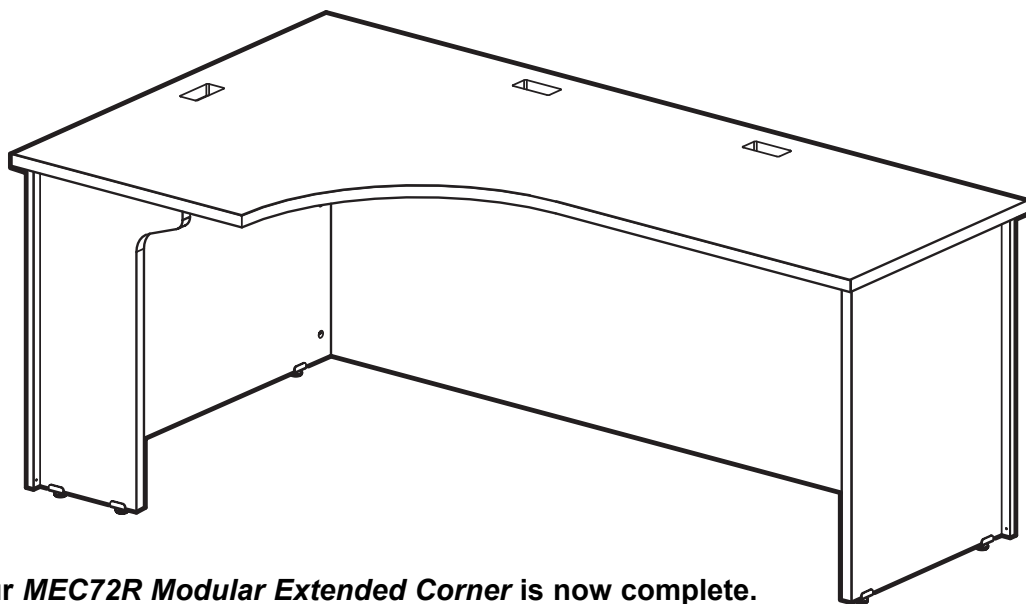


## #8

With the assistance of another person, turn the unit upright. Insert Grommets (H6) into the Top Panel (C), the Short Back Panel (E) and the Long Back Panel (D).



## #9



The assembly of your *MEC72R Modular Extended Corner* is now complete.