

MEC72L/72R

Extended Corner Left / Right

Available Finishes



BLACK GRANITE (BG)
WITH BLACK BASE



FOLKSTONE GREY (GG)
WITH FOLKSTONE GREY BASE



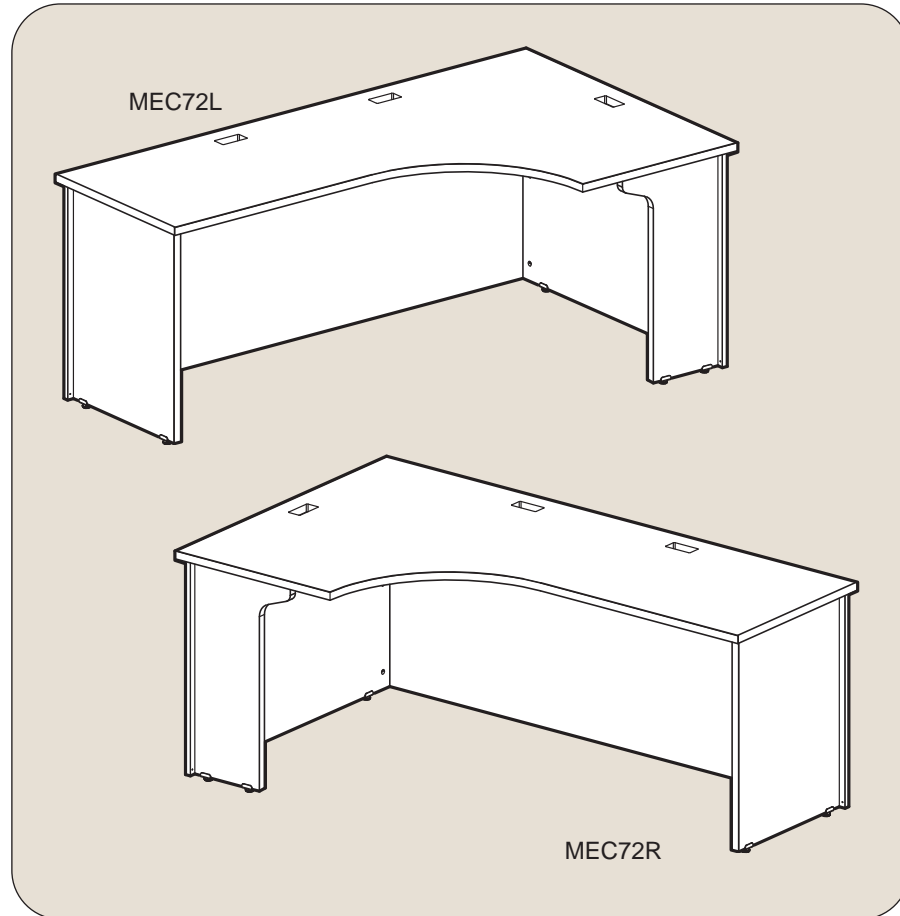
MAHOGANY (BM)
WITH BLACK BASE



MAPLE (BP)
WITH BLACK BASE



OILED CHERRY (BC)
WITH BLACK BASE



Adds to the efficiency of a Corner Workstation or work surface to a Desk Shell, without connecting panels to obstruct legroom.

Model #	Product Size (W x D x H)	Ship Weight (lbs.)	Retail Price
MEC72L-XX	72" x 41 ⁷ / ₈ " x 28 ³ / ₈ "	158	\$817.00
MEC72R-XX	72" x 41 ⁷ / ₈ " x 28 ³ / ₈ "	158	\$817.00