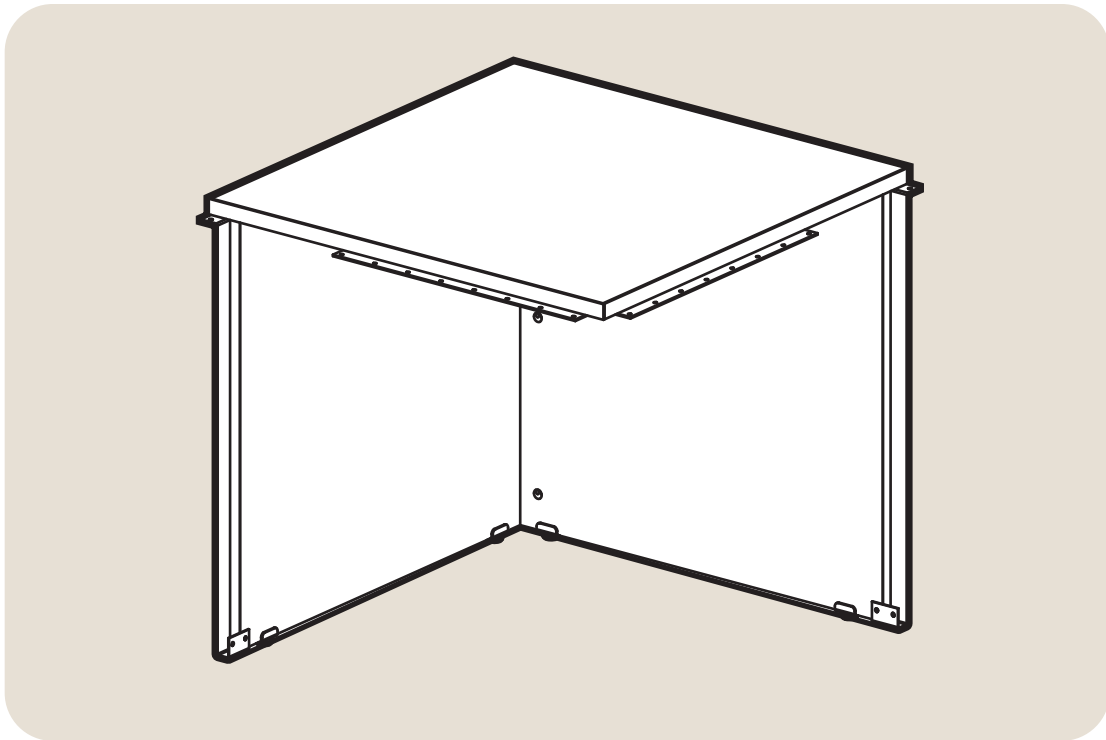


M3030






Corner Workstation



Attaches to 3000 Series to form a 90 degree corner.

Model #	Product Size (W x D x H)	Ship Weight (lbs.)	Retail Price
M3030-XX	30" x 30" x 28 ³ / ₈ "	65	\$390.00

Available Finishes

				
BLACK GRANITE (BG) WITH BLACK BASE	FOLKSTONE GREY (GG) W/ FOLKSTONE GREY BASE	MAHOGANY (BM) WITH BLACK BASE	MAPLE (BP) WITH BLACK BASE	OILED CHERRY (BC) WITH BLACK BASE