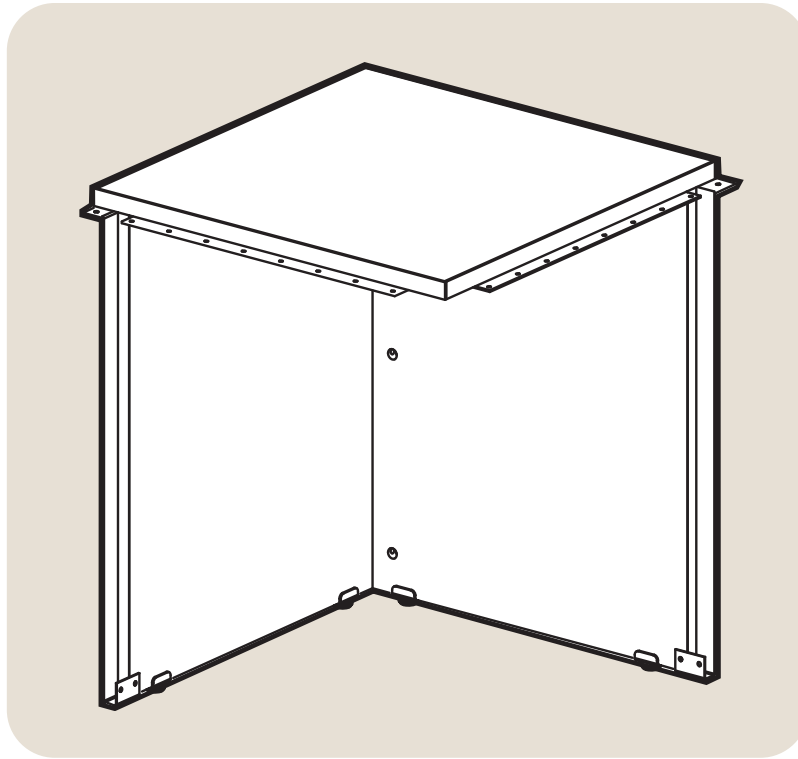


# M2424

---




## Corner Connector



Attaches to 2400 Series to form a 90 degree corner.

Model #	Product Size (W x D x H)	Ship Weight (lbs.)	Retail Price
M2424-XX	23 <sup>3</sup> / <sub>4</sub> " x 23 <sup>3</sup> / <sub>4</sub> " x 28 <sup>3</sup> / <sub>8</sub> "	48	\$347.00

### Available Finishes

				
BLACK GRANITE (BG) WITH BLACK BASE	FOLKSTONE GREY (GG) W/ FOLKSTONE GREY BASE	MAHOGANY (BM) WITH BLACK BASE	MAPLE (BP) WITH BLACK BASE	OILED CHERRY (BC) WITH BLACK BASE

1109