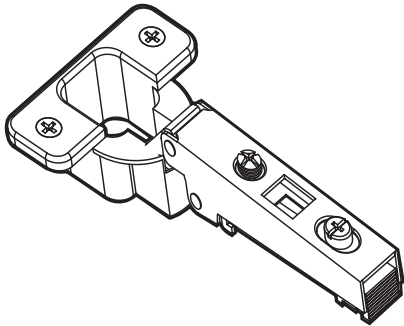


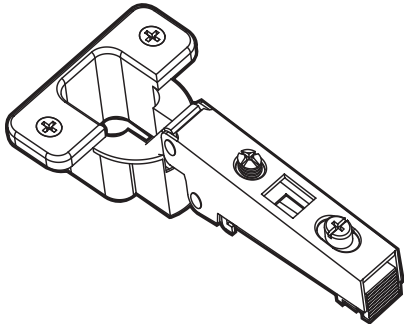
IRONWOOD MFG. DID YOU KNOW

Ironwood Manufacturing offers **3** styles of **HINGES**



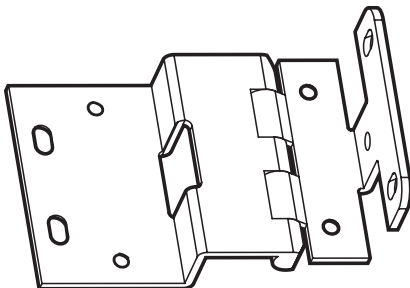
Concealed European:

- Stamped Steel
- 110 Deg. opening
- Light duty applications



Concealed European:

- Stamped and Cast
- 125 Deg. opening
- Commercial duty applications



5 Knuckle:

- Stamped Steel
- Hardened wrist pin
- 270 Deg. Opening
- Hospital Tips
- Heavy Duty