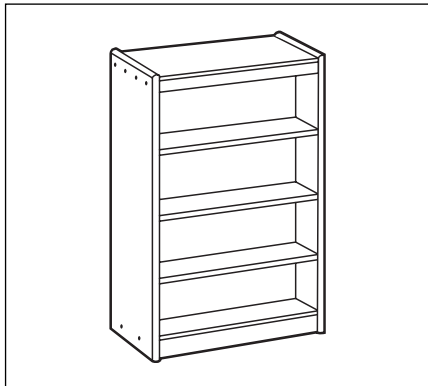


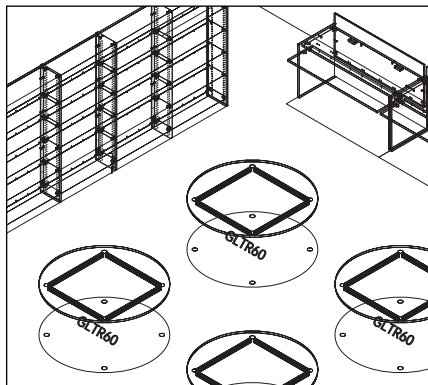
IRONWOOD MFG. DID YOU KNOW

Ironwood Manufacturing will provide **CAD DRAWINGS**



-
- A picture is worth a thousand words.

-
- If you have an inside person we will provide drawing blocks to build their library.



-
- If you don't have an inside person we will provide room layouts.

-
- We will also provide product drawings.