



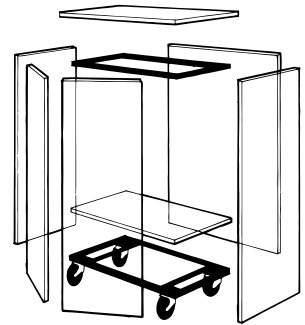
IRONWOOD MFG. DID YOU KNOW

Ironwood Manufacturing offers **3** styles of **MOBILE STORAGE**



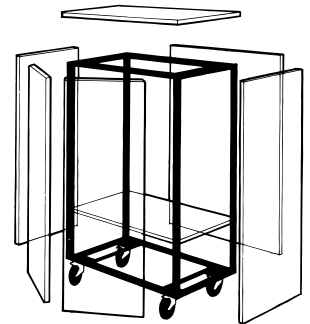
2000 Series:

- Two fully welded unitized frames (top & bottom)
- 10 Ga. Steel
- Powder Coat finish



1000 Series:

- One fully welded unitized
- 10 Ga. steel horizontal frames
- 16 Ga. 1" steel tube uprights
- Powder Coat finish



4000 Series:

- One fully welded unitized
- 10 Ga. steel horizontal frames
- 16 Ga. 1x2" steel tube uprights
- U channels to capture sides and back
- J channel to capture lower edge of back
- Heavier lower frame for use with forklift
- Powder Coat finish

